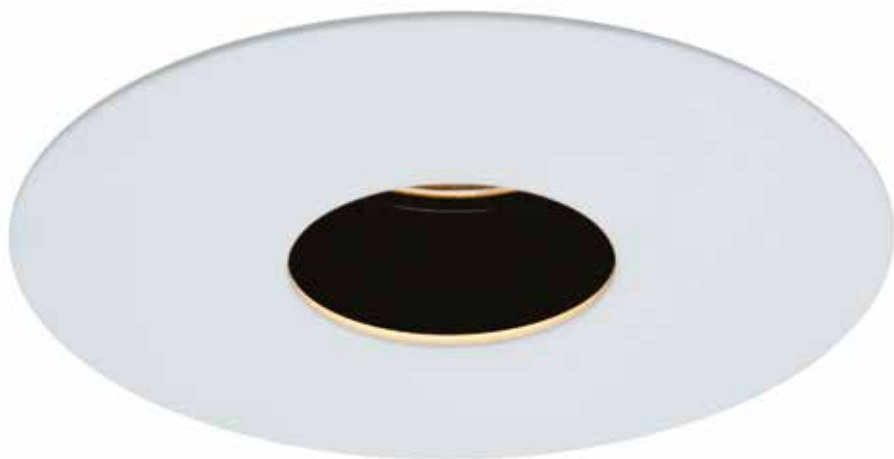


**INT20PA/PR**



**INT21PA/PR**



**intermezzo**  
**intermezzo**  
**intermezzo**  
**intermezzo**

Introducing a collection of micro flange pinhole trims compatible with the new construction and insulated housings of Contrast's Concerto series.

Available in round or square models you have the option to select among low profile regressed adjustable or low profile regressed fixed apertures. Intermezzo adjustable versions rotate on 359°, tilt at 30° and feature a locking device. All offered in 2,700K, 3,000K, 3,500K and 4,000K at 90+ CRI.

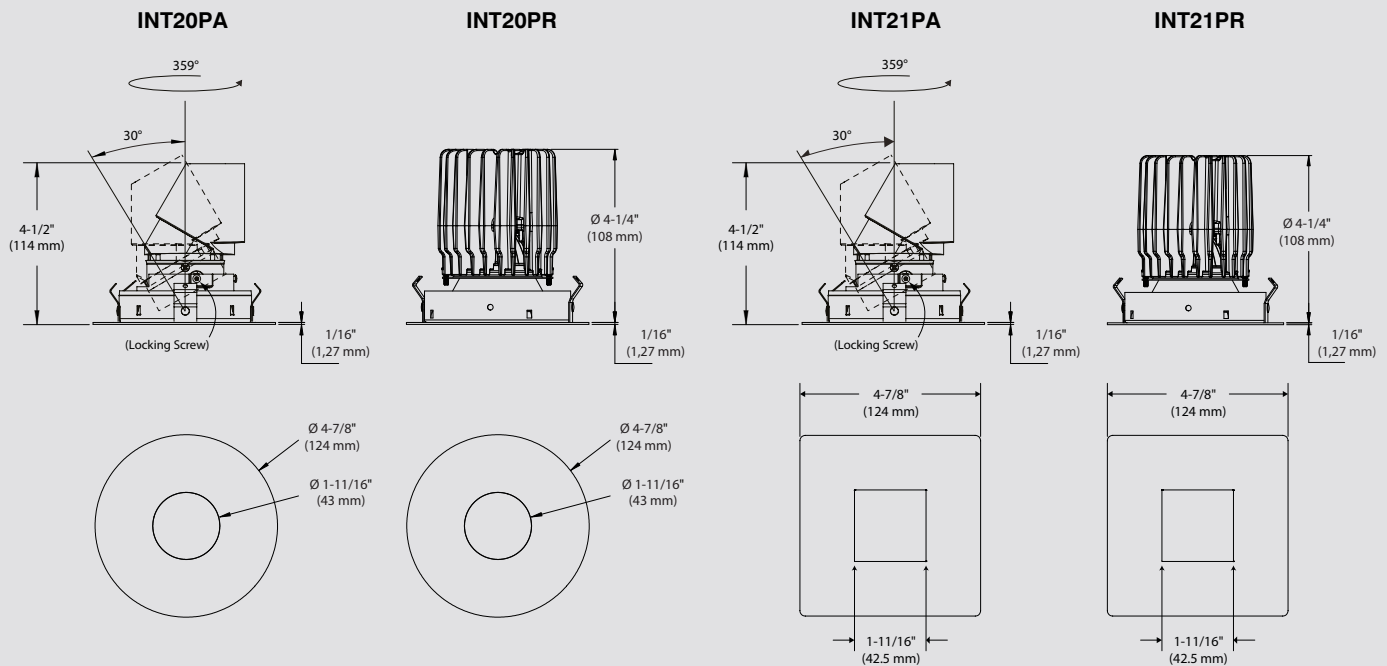
Intermezzo comes in a selection of Matte White, Matte Black and Brushed Nickel finishes and includes black reflectors to adapt to any decors. They bear a 1 year warranty on standard finishes and 5 years on LED modules.

A minimalist design for high efficiency LED fixtures.

# intermezzo

Low Profile Square and Round Adjustable or fixed Regressed Trim with Pinhole Aperture

- Choice of 4 color temperatures: 2,700K, 3,000K, 3,500K and 4,000K
- All offered with 90+ CRI
- Compatible with new construction housing of Concerto series.
- Bridgelux Vero 18 LED Module, delivers a lumen maintenance greater than 70% after 50,000 hours of operation (L<sup>70</sup>). Provides a high quality true color and a clean white light without hot spots. Binning within 3 steps on MacAdam ellipse
- Lumen output based on selected Concerto housing:
  - Performance 1: 875 lumens
  - Performance 2: 1,225 lumens
- Reflectors is painted black for a discrete look in your ceiling
- The ceiling cutout is 4-1/4" (108 mm)
- Approved cULus E343977 for damp locations and guaranteed 1 year for standard finish trim and 5 years on LED module.



1009, rue du Parc Industriel  
Lévis (Québec) G6Z 1C5 Canada

Tel.: 1-888-839-4624  
Fax.: 1-877-839-7057

info@contrastlighting.com  
contrastlighting.com

© 2016 Contrast Lighting M.L. Inc.  
All rights reserved PRINTED IN CANADA

## ORDERING CODE

MODEL	TYPE	FINISH	COLOR TEMPERATURE	BEAM
				<b>M</b>
<b>INT20</b> Intermezzo Round	<b>PA</b> Adjustable Pinhole	<b>-11</b> Matte White	<b>27</b> 2,700K	<b>M</b> Narrow
<b>INT21</b> Intermezzo Square	<b>PR</b> Fixed Pinhole	<b>-12BR</b> Brushed Nickel	<b>30</b> 3,000K	Flood (35°)
		<b>-22</b> Matte Black	<b>35</b> 3,500K	
			<b>40</b> 4,000K	

