

Champagne 3

Signature Suspension Made of Hand Blown Glass

Project _____

Notes _____

Fixture Type _____

Date _____



CHA304BR-HBKT (illustrated)



CHA3F04BR-22BKT (illustrated)

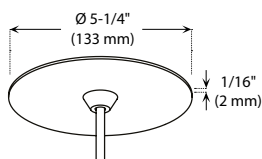
Hand-Crafted Glass Lamp Shades: Minor irregularities further enhance the hand-crafted uniqueness.



SPECIFICATIONS

Made of 0.06" (1.5 mm) thick cold rolled steel.

CANOPY



Available in 1 painted color and 5 plated finishes to harmonize the support and lampholder.

INSTALLATION This canopy fits on 4" (103 mm) junction boxes.

CABLE 6' black fabric cable that can be adjusted or cut.

MEDIUM BASE/E26 SPECIFICATIONS (CHAMPAGNE 3)

SOCKET Medium Base E26 / E27

SOURCE 120V Line Voltage 60W maximum Lamp (non included) / 11W maximum for copper finishes **(18 and 19)** (non included)

POWER SUPPLY 120V / 240V Line Voltage

DIMMING Refer to lamp manufacturer specifications

CERTIFICATION cULus **E172892**

WARRANTY 1 year on components against manufacturing defects.

CONTRASTE

1009, rue du Parc Industriel
Lévis (Québec) G6Z 1C5 Canada
Tel.: 1-888-839-4624
Fax.: 1-877-839-7057
contrastlighting.com
info@contrastlighting.com

© 2017 Contrast Lighting M.L. Inc.
All rights reserved

Contrast Lighting M.L. Inc reserves the right to make changes in specifications and/or to discontinue any product at any time without notice or obligation and will not be liable for any consequences resulting from the use of this publication.

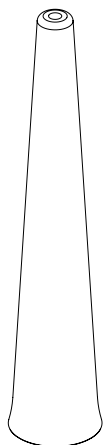
Champagne 3

Signature Suspension Made of Hand Blown Glass

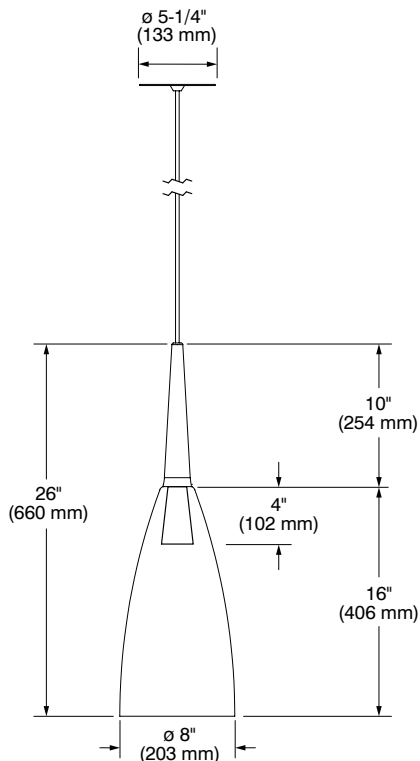


DECORATIVE SLEEVE

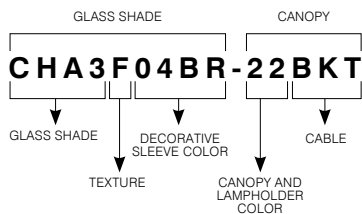
Made of high quality aluminum.
(Available in 5 plated finishes)



DIMENSIONS FOR CHAMPAGNE 3



CODIFICATION EXAMPLE CHAMPAGNE 3



ORDERING CODE CHAMPAGNE 3

GLASS SHADE			CANOPY	
GLASS SHADE	TEXTURE	DECORATIVE SLEEVE COLOR	CANOPY AND LAMPHOLDER COLOR	CABLE
CHA3				BKT
CHA3	Clear F Frosted	03BR Brushed Gold 03SA Satin Gold 04BR Brushed Chrome 18 Copper 19 Satin Copper	H Harmonized with decorative sleeve 22 Matte Black	BKT Black Fabric

CONTRASTE

1009, rue du Parc Industriel
Lévis (Québec) G6Z 1C5 Canada
Tel.: 1-888-839-4624
Fax.: 1-877-839-7057
contrastlighting.com
info@contrastlighting.com

© 2017 Contrast Lighting M.L. Inc.
All rights reserved

Contrast Lighting M.L. Inc reserves the right to make changes in specifications and/or to discontinue any product at any time without notice or obligation and will not be liable for any consequences resulting from the use of this publication.