

ECO2NWL300-277

3-1/2" ECO²LED Series

IC and Air Tight New Construction Housing

Project	
Notes	
Fixture Type	
Date	

SPECIFICATIONS

HOUSING DETAILS Up to 0.051" (1.3 mm) thick galvanized steel housing.
Approved for installation in insulated ceilings and in direct contact with insulating material (except polyurethane).
Junction box can support up to 10 x 14 gauge wires or 8 x 12 gauge wires.
Below-ceiling accessible.

MOUNTING **Cutout diameter: Ø 3-5/8" (92 mm)**
Can fit ceilings up to 1-1/2" (38 mm) thick.
Requires a 6" (152 mm) clearance beyond the ceiling level.
Contrast hooks for ease of installation and a perfect fit to ceiling.
Mounting bars extend from 10" (254 mm) to 24-1/2" (622 mm) to fit in most ceilings.
No light leakage.

POWER 9W LED driver (11W power consumption)

VOLTAGE 110 to 277 Volts

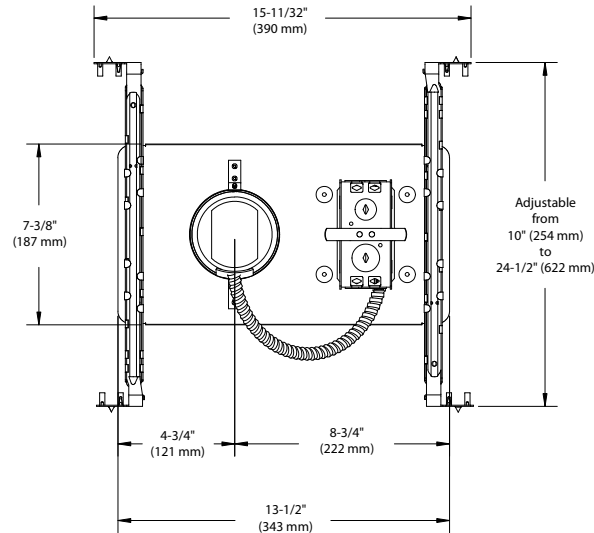
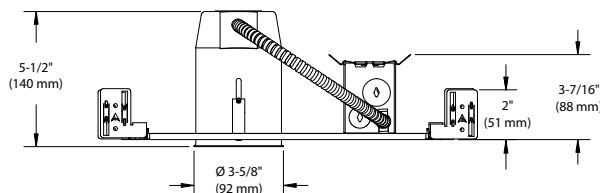
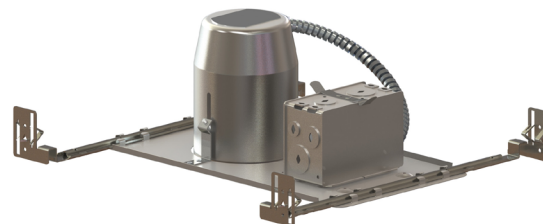
DIMMING No compatible dimming

COMPATIBLE TRIMS ECO2L3A
ECO2L3B
ECO2L3C (Not certified Energy Star)
ECO2L3D

CERTIFICATION

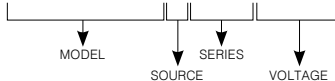
- cULus **E343977** for damp locations; wet with shower trim only
- Title 24
- ASTM E283
- Certified Energy Star

WARRANTY 5 years on LED driver



CODIFICATION EXAMPLE

ECO2NWL300-277



ORDERING CODE

MODEL	SOURCE	SERIES	VOLTAGE
ECO2NW	L	300	-277
ECO2NW	New Construction	L LED 300 300 Series	-277 277V

