

ECO2REL200-120D

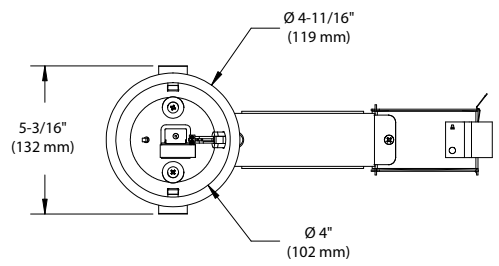
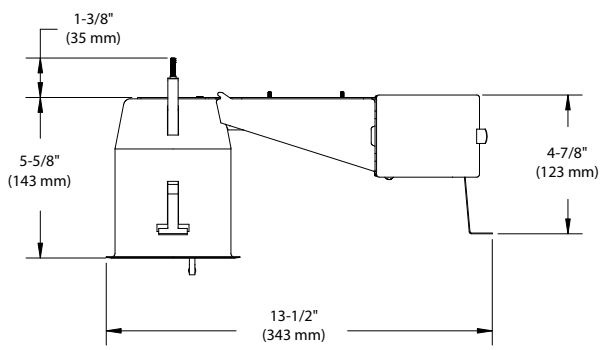
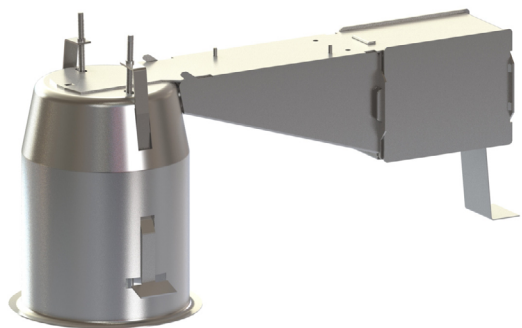
4" ECO²LED Series

Project	
Notes	
Fixture Type	
Date	

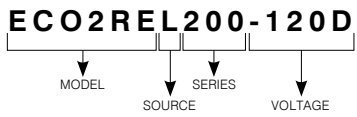
IC and Air Tight Remodel Housing

SPECIFICATIONS

HOUSING DETAILS	Up to 0,051" (1,3 mm) thick galvanized steel housing. Approved for installation in insulated ceilings and in direct contact with insulating material (except polyurethane). Junction box can support up to 10 x 14 gauge wires or 8 x 12 gauge wires. Below-ceiling accessible.
MOUNTING	Cutout diameter: Ø 4-1/4" (108 mm) Can fit ceilings up to 7/8" (22 mm) thick. Requires a 7" (178 mm) clearance beyond the ceiling level. Patented hook (PAT#CAN 2,088,648 and #USA 5,377,088) for ease of installation and a perfect fit to ceiling. No light leakage.
POWER	9W LED driver (9W power consumption)
VOLTAGE	120 Volts
DIMMING	Compatible with Electronic Low Voltage (ELV) dimmers. Due to constant evolution of associated dimmers we must test them regularly. We invite you to consult frequently our Web site to find our suggested compatible dimmers list: www.contrastlighting.com
COMPATIBLE TRIMS	ECO2L2A ECO2L2B ECO2L2C (Not certified Energy Star) ECO2L2D
CERTIFICATION	<ul style="list-style-type: none"> cULus E343977 for damp locations; wet with shower trim only Title 24 ASTM E283 Certified Energy Star
WARRANTY	5 years on LED driver



CODIFICATION EXAMPLE



ORDERING CODE

MODEL	SOURCE	SERIES	VOLTAGE
ECO2RE	L	200	-120D
ECO2RE Remodel	L LED	200 200 Series	-120D 120V Compatible Dimming



CONTRASTE

1009, rue du Parc Industriel
Lévis (Québec) G6Z 1C5 Canada

© 2017 Contrast Lighting M.L. Inc.
All rights reserved

Tel.: 1-888-839-4624
Fax.: 1-877-839-7057
info@contrastlighting.com

Contrast Lighting reserves the right to make changes in specifications and/or to discontinue any product at any time without notice or obligation and will not be liable for any consequences resulting from the use of this publication.