

ECO2REL200-277

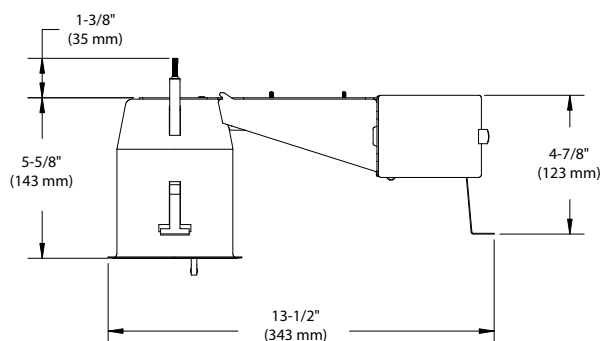
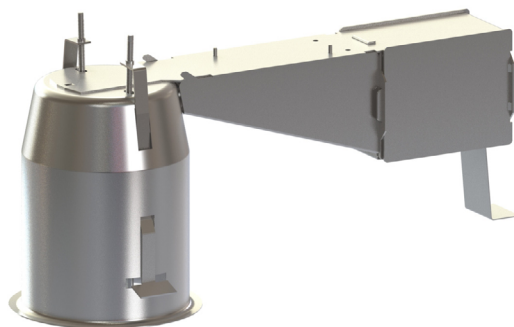
4" ECO²LED Series

IC and Air Tight Remodel Housing

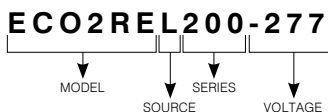
Project	
Notes	
Fixture Type	
Date	

SPECIFICATIONS

HOUSINGDETAILS	Up to 0,051" (1,3 mm) thick galvanized steel housing. Approved for installation in insulated ceilings and in direct contact with insulating material (except polyurethane). Junction box can support up to 10 x 14 gauge wires or 8 x 12 gauge wires. Below-ceiling accessible.
MOUNTING	Cutout diameter: ø 4-1/4" (108 mm) Can fit ceilings up to 7/8" (22 mm) thick. Requires a 7" (178 mm) clearance beyond the ceiling level. Patented hook (PAT#CAN 2,088,648 and #USA 5,377,088) for ease of installation and a perfect fit to ceiling. No light leakage.
POWER	9W LED driver (11W power consumption)
VOLTAGE	110 to 277 Volts
DIMMING	No compatible dimming
COMPATIBLE TRIMS	ECO2L2A ECO2L2B ECO2L2C (Not certified Energy Star) ECO2L2D
CERTIFICATION	<ul style="list-style-type: none"> cULus E343977 for damp locations; wet with shower trim only Title 24 ASTM E283 Certified Energy Star
WARRANTY	5 years on LED driver



CODIFICATION EXAMPLE



ORDERING CODE

MODEL	SOURCE	SERIES	VOLTAGE
ECO2RE	L	200	-277
ECO2RE Remodel	L LED	200 200 Series	-277 277V

