









# SPECIFICATION SHEET

4 1/4" 7000 SERIES

# ISMR7000M35

INSULATED CEILING HOUSING WITH MAGNETIC TRANSFORMER

	YES
Damp Location	
	MR16 35W MAX
MR16	
	Magnetic transformer EC50M 50 VA 120V / 12V EC50M2 50 VA 277V / 12V EC50M3 50 VA 347V / 12V
	ISMR7000M35 : 120 VOLTS (CAN & USA) ISMR7000M352 : 277 VOLTS (USA ONLY) ISMR7000M353 : 347 VOLTS (CAN ONLY)
Voltage	
	T°C 110°C No 029
Thermal Protector	
	4 5/16" (109mm)
OD Cut	
	E174023
UL LISTED	
	Overall Dimensions : Length : 19 1/2" (495mm) Width : 10" (254mm) Height : 7 1/8" (181mm)
Dimensions	

## COMPATIBLE TRIMS

### MR16 35W

T7024  
T7025

## OPTIONS

### CHICAGO PLENUM

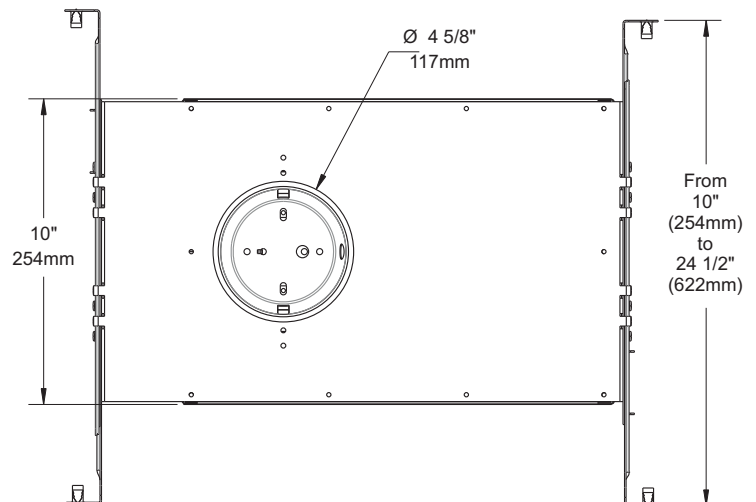
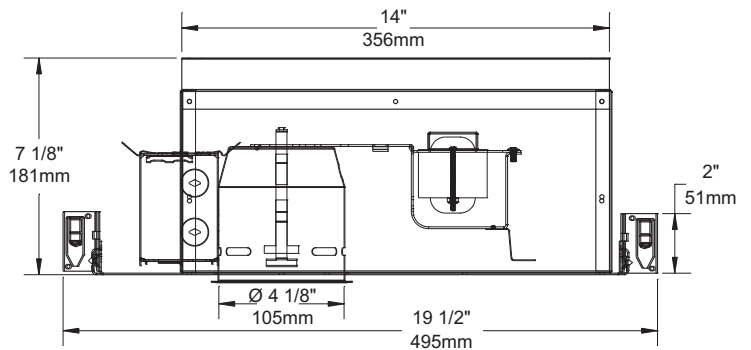
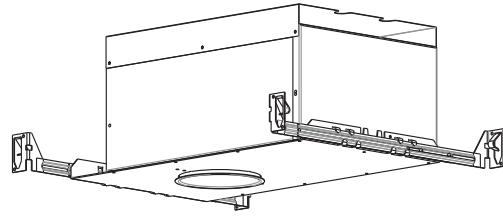
Requirement for all lighting fixtures installed in the city of Chicago. Complies for ceiling air Plenum.  
Code : ISMR7000M35P

### TITLE 24

Complies with California State Title 24 Energy Code.  
Code : ISMR7000M35W

## TECHNICAL SPECIFICATIONS

0,021" (0,53mm) thickness Galvanized Steel.  
Below-ceiling accessible.  
Hooks PAT#CAN 2,088,648 and #USA 5,377,088.  
Takes up to 7/8" thick ceiling.  
Perfect fit into ceiling.  
No light leak.



Your representative : \_\_\_\_\_

Your project : \_\_\_\_\_

**CONTRAST**  
LIGHTING

1009, rue du Parc Industriel, Saint-Jean-Chrysostome, Qc, CAN, G6Z1C5 Tel.: 1-888-839-4624 Fax : 1-877-839-7057  
info@contrastlighting.com  
www.contrastlighting.com

JUNE 2010