

# SPECIFICATION SHEET

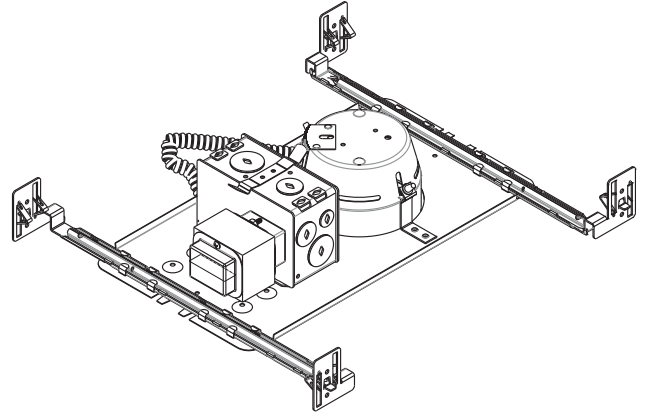
4" 2000 SERIES

# NW2000CM

NW2000CM2

NW2000CM3

SHALLOW NEW CONSTRUCTION HOUSING  
WITH MAGNETIC TRANSFORMER



YES

Damp Location



MR16

MR16 50W MAX



Voltage

NW2000CM : 120 VOLTS (CAN & USA.)  
NW2000CM2 : 277 VOLTS (USA)  
NW2000CM3 : 347 VOLTS (CANADA)



Magnetic Transformer  
120V / 12V  
277V / 12V  
347V / 12V



Thermal Protector

T°C 120°C No 031



OD Cut

4 1/4" (108mm)



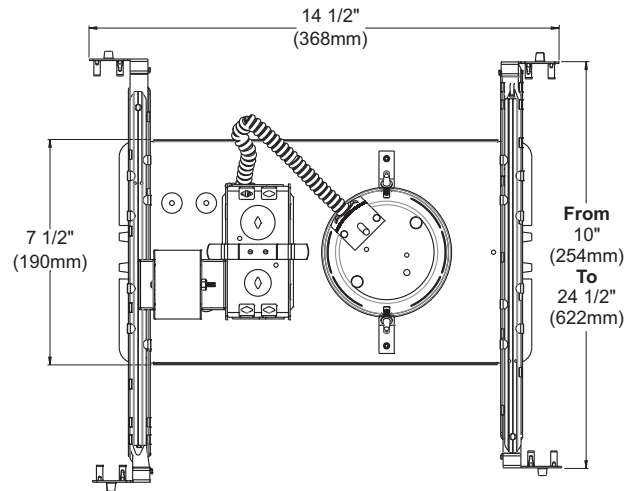
UL LISTED

E174023



Dimensions

Overall Dimensions :  
Length : 14 1/2" (368mm)  
Width : 10" (254mm)  
Height : 3 1/2" (89mm)

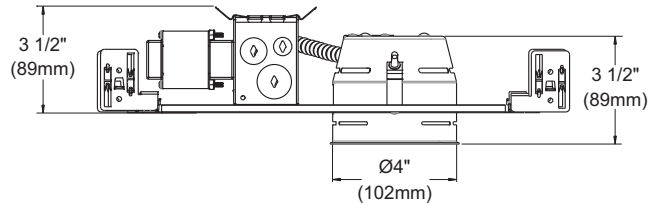


From  
10"  
(254mm)  
To  
24 1/2"  
(622mm)

## COMPATIBLE TRIMS

### 50W MAX

R2000	R2130VSM/ST	T2000VL (T2010VL)
R2000VSM/ST	R2100VT	T2000VS (T2010VS)
R2010VSM/ST	R2450VT	T2000VLS (T2010VLS)
R2030VSM/ST	S2000	
R2051	S2051	
R2100	S2100	
R2100VSM/ST	T2000	
R2110VSM/ST	T2000V (T2010V)	



## TECHNICAL SPECIFICATIONS

0,051" (1,3mm) thickness Galvanized Steel.  
Below-ceiling accessible.  
Hooks PAT#CAN 2,088,648 and #USA 5,377,088.  
Takes up to 7/8" thick ceiling.  
Perfect fit into ceiling.  
No light leak.

**MADE IN CANADA**

**UL LISTED**  
Certified UL Standards

Your representative : \_\_\_\_\_

Your project : \_\_\_\_\_

**CONTRAST**  
LIGHTING

1009, rue du Parc Industriel, Saint-Jean-Christophe, Qc, CAN, G6Z1C5 Tel.: 1-888-839-4624 Fax : 1-877-839-7057  
info@contrastlighting.com  
www.contrastlighting.com

NOVEMBER 2010