

NW4000M

3" 4000 Series

New Construction Housing with Magnetic Transformer

Project _____

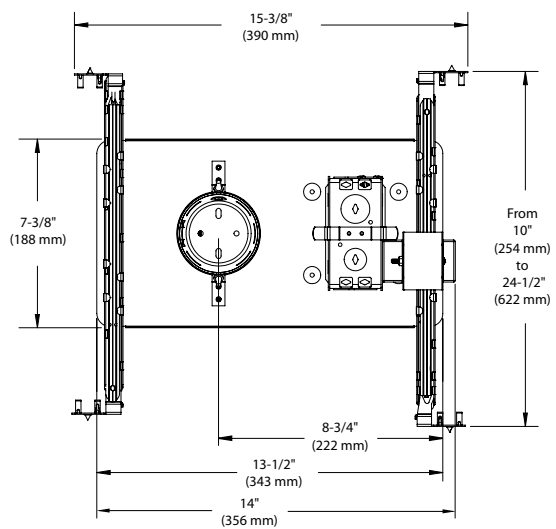
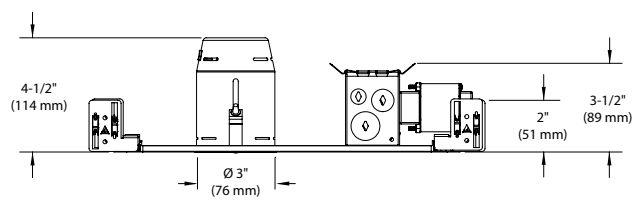
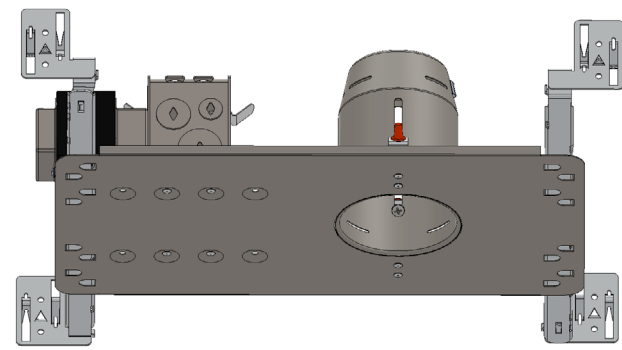
Notes _____

Fixture Type _____

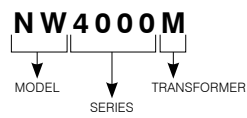
Date _____

SPECIFICATIONS

HOUSING DETAILS	18 gauge 0,051" (1,3 mm) thickness galvanized steel. Junction box can support up to 10 – 14 gauge wires or 8 – 12 gauge wires. Below-ceiling accessible.		
MOUNTING	Cutout diameter: Ø 3-1/4" (82 mm) Can fit in ceilings up to 1-1/2" (38 mm) thick. Requires a 5" (127 mm) clearance beyond the ceiling level. Contrast hooks for ease of installation and a perfect fit to ceiling. Mounting bars extend from 10" (254 mm) to 24-1/2" (622 mm) to fit in most ceiling structures (compatible with suspended ceilings). No light leakage.		
LAMP	MR16 GU 5.3 20-35W MAX This product was designed for a MR16 halogen lamp. If you want to use dimming and you replace MR16 lamp by an equivalent LED MR16 lamp, please refer regularly to the lamp manufacturer dimmer compatibility list.		
VOLTAGE	NW4000M: 120 Volts (CAN & USA) NW4000M2: 277 Volts (USA) NW4000M3: 347 Volts (CAN)		
TRANSFORMER	Magnetic Transformer 120V/12V - 50VA 277V/12V - 50VA 347V/12V - 50VA		
COMPATIBLE TRIMS	20W MR16 GU 5.3	35W MR16 GU 5.3	
	S4151 S4450	T4145 T4450 T4650	T4000 T4125 T4200 T4200V T4300
THERMAL PROTECTION	TC 248°F (120°C)		
CERTIFICATION	cULus E174023 for damp locations.		



CODIFICATION EXAMPLE



ORDERING CODE

MODEL	SERIES	TRANSFORMER	VOLTAGE
NW	4000	M	
NW New Construction	4000 3" Series	M Magnetic	120V 2 277V 3 347V

