

SPECIFICATION SHEET

NWA3R-EM - NWA3S-EM

3.5" Series - Ardito

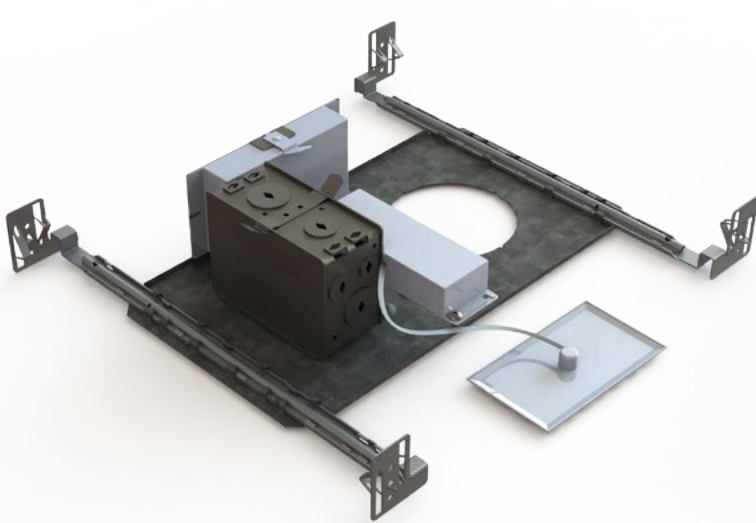
“Non-IC”, New Construction Housing with Emergency lighting

Project _____

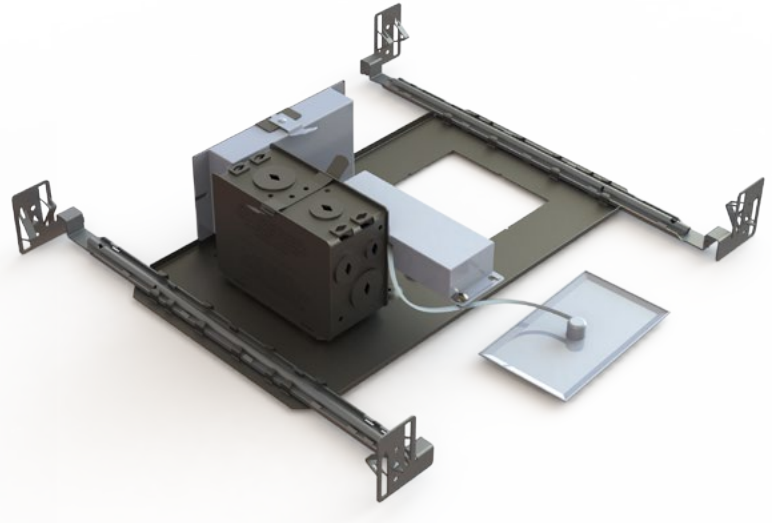
Notes _____

Fixture type _____

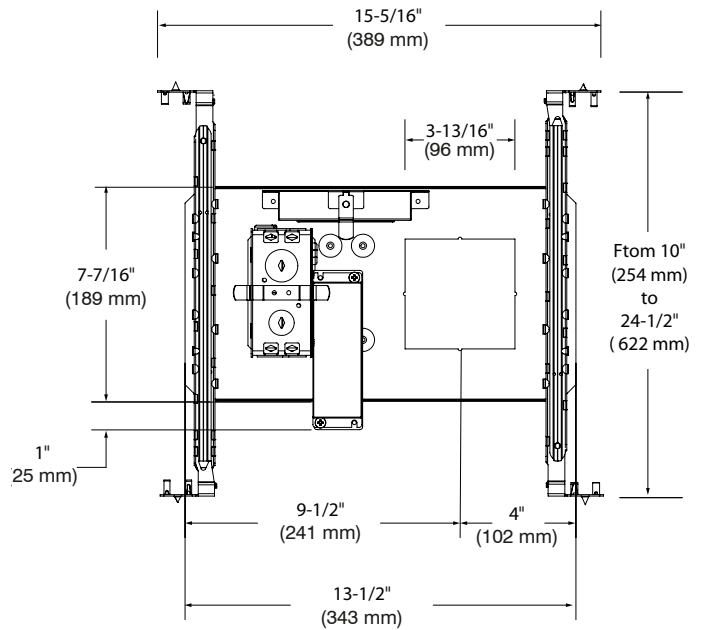
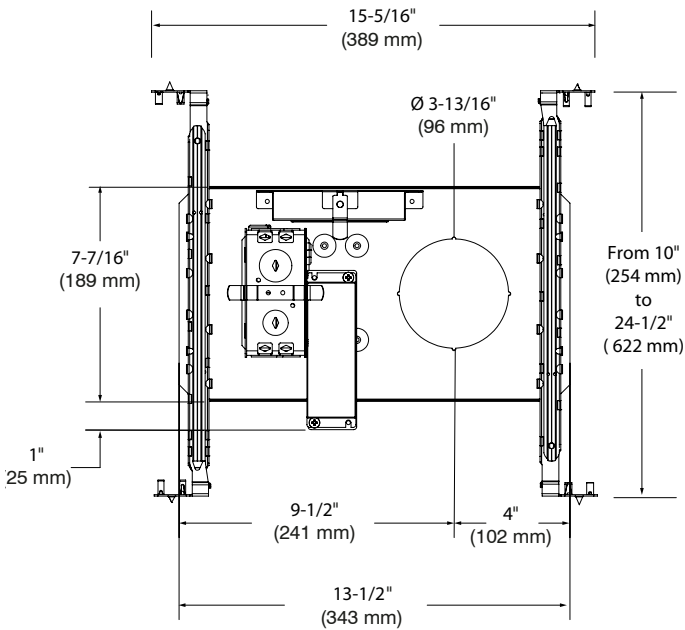
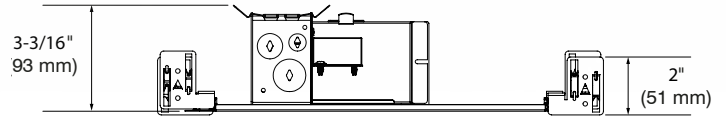
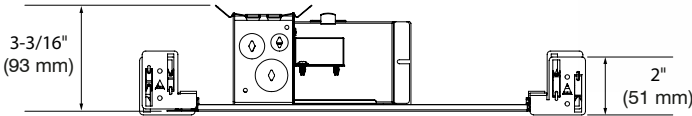
Date _____



NWA3R-EM (illustrated)



NWA3S-EM (illustrated)



CONTRASTE

1009, rue du Parc Industriel
Lévis (Québec) G6Z 1C5 Canada
Tel.: 1-888-839-4624
Fax.: 1-877-839-7057
contrastlighting.com
info@contrastlighting.com

© 2017 Contrast Lighting M.L. Inc.
All rights reserved

Contrast Lighting M.L. Inc. reserves the right to make changes in specifications and/or to discontinue any product at any time without notice or obligation and will not be liable for any consequences resulting from the use of this publication.

SPECIFICATION SHEET

NWA3R-EM - NWA3S-EM

3.5" Series - Ardito

**“Non-IC”, New Construction Housing
with Emergency lighting**

SPECIFICATIONS

EMERGENCY LIGHTING	Runtime: 120 minutes minimum Maximum height installation: 40' Test button and mounting plate: included Battery lifespan: 5 years			
HOUSING DETAILS	Galvanized steel housing. Junction box can support up to 10 - 14 gauge wires or 8 - 12 gauge wires (90° wires). Below-ceiling accessible.			
MOUNTING	Round Cutout diameter: Ø 3-3/4" (95 mm) Square Cutout diameter: 3-3/4" (95 mm) x 3-3/4" (95 mm) The ceiling level is determined by the choice of trims. Insulation material must be kept at least 3" (76 mm) away from the fixture. Can fit in ceilings up to 1-1/2" (38 mm) thick. Mounting bars extend from 10" (254 mm) to 24-1/2" (622 mm) to fit in most ceiling structures. Emergency new construction housing is not available with Lumenetix option.			
POWER	Performance 1: Up to 1,300 lumens (14W) Performance 2: Up to 1,900 lumens (23W)			
VOLTAGE	120V - 277V			
DIMMING	2 types of dimming offered: <ul style="list-style-type: none"> • Electronic Low Voltage (ELV) (120V only) • 0-10V (120V only) Due to constant evolution of dimmers we must test them regularly. We invite you to consult frequently our Web site to find our dimmer compatibility list: www.contrastlighting.com			
COMPATIBLE TRIMS	NWA3R-EM (round aperture)		NWA3S-EM (square aperture)	
	Performance 1 14W	Performance 2 23W	Performance 1 14W	Performance 2 23W
	A3RFR	A3RFR	A3SFR	A3SFR
	A3RAF	A3RAF	A3SAR	A3SAR
	A3RAR	A3RAR	A3SFW	A3SFW
	A3RWW	A3RWW	A3SSF	A3SSF
	A3RSF	A34RSF		
	A3RFD	A3RFD		
CERTIFICATION	cULus E343977 for damp and wet locations			
WARRANTY	5 years on LED driver			

CONTRASTE

SPECIFICATION SHEET

NWA3R-EM - NWA3S-EM

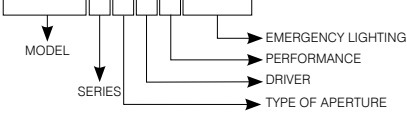
3.5" Series - Ardito

“Non-IC”, New Construction Housing with Emergency lighting



CODIFICATION EXAMPLE

NWA3SV1-EM

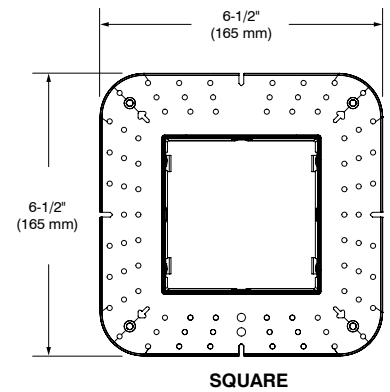
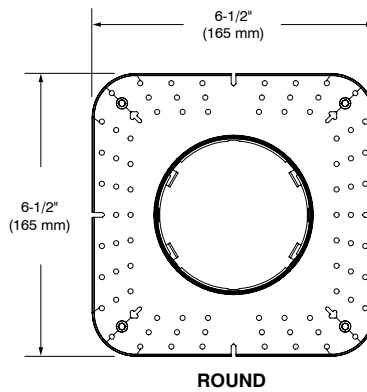


ORDERING CODE

MODEL	SERIES	TYPE OF APERTURE	DRIVER	PERFORMANCE	EMERGENCY LIGHTING
NWA	3		V		-EM
NWA Ardito New Construction Housing	3 3.5" Series	R Round S Square	V ELV / 0-10V	1 1,300 lumens 2 1,900 lumens	-EM Emergency Lighting

MUD-IN-PLATE OPTION

Code: MIPA3R (round)
MIPA3S (square)



CONTRASTE