

# NWMA1PAR30

Page 1 of 2

## Multi-Aim Recessed Lighting

Multi-Aim unit for single PAR30 projector

Project: \_\_\_\_\_

Notes: \_\_\_\_\_

Fixture type: \_\_\_\_\_

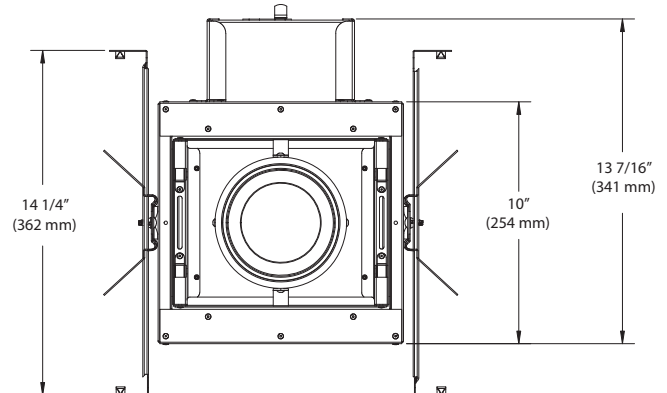
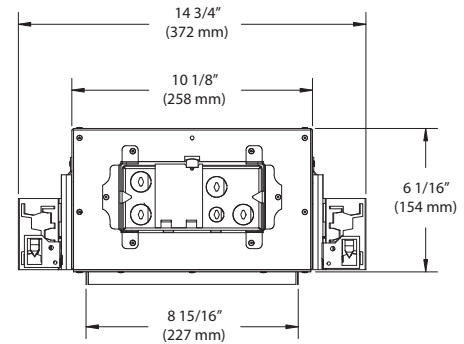
Date: \_\_\_\_\_

### SPECIFICATIONS

<b>Housing Details</b>	Painted, galvanized steel outer housing includes universal mounting brackets with mounting bars for fixed or suspended ceilings. For new construction in <b>non-insulated</b> ceiling. Below-ceiling accessible. Perfect fit into ceiling. No light leakage. Each part of the housing should be at 3" (76 mm) MINIMUM from insulation (if applicable). Junction box can be removed entirely for easy maintenance.	
<b>Mounting</b>	Butterfly brackets accept: - Included mounting bars extend from 14 1/4" (362 mm) to 26" (660 mm). Requires a minimum spacing of 18" between joists. - 1/2" EMT (Supplied by customer) - C-Channel (Supplied by customer)	
<b>Power</b>	120V	
<b>Dimming</b>	Dimmable with Triac and most dimming technics.	
<b>Projectors</b>	Lockable 30° Double gimbal Compatible lamps: PAR30 75W max.	
<b>Ceiling Details</b>	<b>Cutout</b> 9 1/16" x 7 1/8" (230 mm x 181 mm)	<b>Ceiling Thickness</b> 1/2" to 1 1/2" (13 mm to 38 mm)
<b>Warranty</b>	Socket(s) – 5 years	
<b>cULus</b>	cULus Listed Suitable for dry to damp locations	



NWMA1PAR30-22 with MAR1-PAR30-11-22



# NWMA1PAR30

## Multi-Aim Recessed Lighting

Multi-Aim unit for single PAR30 projector

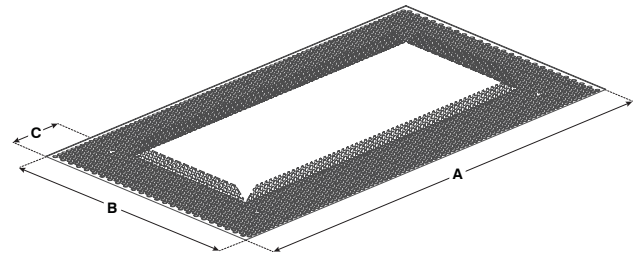
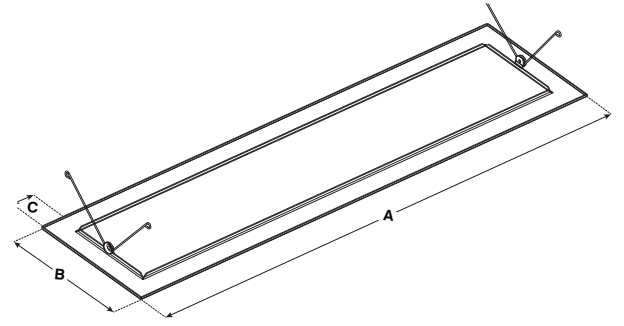
### TRIM

Trim	Length A	Width B	Flange Width C
MAR1-PAR30-XX-XX	10" (254 mm)	8 1/2" (216 mm)	1 1/4" (32 mm)

OR

### TRIMLESS INSTALLATION

Mesh Plate	Length A	Width B	Flange Width C
MAR1-PAR30-SF	14 1/8" (360 mm)	12 3/16" (310 mm)	2 1/2" (64 mm)



### HOUSING ORDERING CODE

EXAMPLE NWMA1PAR30-22

A complete fixture consists of a housing and a trim or a housing and a mesh plate.

NW	MA	1	PAR30	
New Construction Housing	Multi-Aim	1 Projector	PAR30	Housing Color -11 Matte White -22 Matte Black

AND

### TRIM ORDERING CODE

EXAMPLE MAR1-PAR30-11-22

MAR	1	-PAR30		
Multi-Aim	1 Projector	Source -PAR30	Trim Color -11 Matte White -15 Metallic Grey -22 Matte Black	Housing Color -11 Matte White -22 Matte Black

OR

### MESH PLATE ORDERING CODE

EXAMPLE MAR1-PAR30-SF

MAR	1	-PAR30	-SF
Multi-Aim	1 Projector	Source -PAR30	Trimless -SF

