

NWUR3

3-1/2" URBAĪ Series IC and Air Tight New Construction Housing

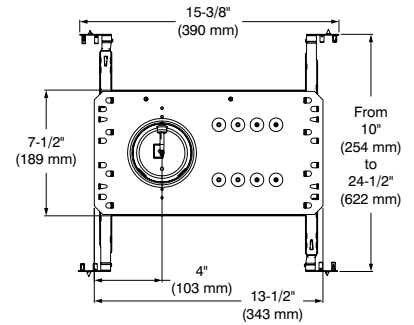
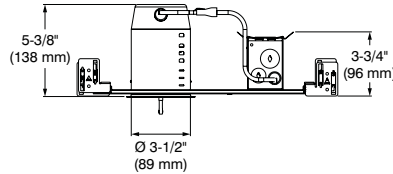


Project _____

Notes _____

Fixture Type _____

Date _____



SPECIFICATIONS

HOUSING DETAILS

Up to 0,051" (1,3 mm) thick galvanized steel housing. Approved for installation in insulated ceilings and in direct contact with insulating material (except polyurethane) on performance 1 only. 26-1/2 in² junction box. Below-ceiling accessible.

MOUNTING

Cutout diameter: ø 3-5/8" (92 mm)
Can fit ceilings up to 2" (51 mm) thick. Requires a 6" (152 mm) clearance beyond the ceiling level. Snap-in hooks for ease of installation and a perfect fit to ceiling. Mounting bars extend from 10" (254 mm) to 24-1/2" (622 mm) to fit in most ceilings. No light leakage.

PERFORMANCE

1: 10W IC - up to 1,018 lms
2: 15W Non-IC - up to 1,326 lms
Warm Dimming: 15W - up to 650 lms

VOLTAGE

120 Volts
277 Volts

DIMMING

ELV: 120V only
0-10V: Sourcing driver (Sinking Control) 120V or 277V

We invite you to consult frequently our Website to find our dimmer compatibility list:
www.contrastlighting.com

COMPATIBLE TRIMS

UR3A, UR3B, UR3C, UR3E, UR3F, UR3G, UR3H, UR3J.

CERTIFICATION

- cULus **E343977** for damp locations; wet with shower trim only.
- ASTM E283

WARRANTY

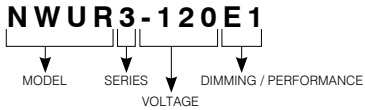
1 year on components against manufacturing defects.
5 years on LED arrays and drivers.

NWUR3

3-1/2" URBAĪ Series
IC and Air Tight New Construction Housing



CODIFICATION EXAMPLE FOR 120V

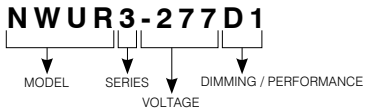


ORDERING CODE for 120V

MODEL	SERIES	VOLTAGE	DIMMING / PERFORMANCE
NWUR	3	-120	
NWUR New Construction	3 3-1/2" Series	-120 120V	E1 ELV / 10W E2* ELV / 15W EB2* ELV (+Value) / 15W D1 0-10V / 10W D2* 0-10V / 15W

* Non-IC rated

CODIFICATION EXAMPLE FOR 277V



ORDERING CODE for 277V

MODEL	SERIES	VOLTAGE	DIMMING / PERFORMANCE
NWUR	3	-277	
NWUR New Construction	3 3-1/2" Series	-277 277V	D1 0-10V / 10W D2* 0-10V / 15W 2* Non-Dimmable / 15W

* Non-IC rated

NWUR3

3-1/2" URBAĪ Series IC and Air Tight New Construction Housing



GOOF RINGS

For round trims.

Code: RR3-03SA (Satin Gold)
 RR3-04BR (Brushed Chrome)
 RR3-11 (Matte White)
 RR3-12BR (Brushed Nickel)
 RR3-13 (Satin Nickel)
 RR3-22 (Matte Black)

Outside diameter: \varnothing 6-1/8" (156 mm)
 Inside diameter: \varnothing 3-11/16" (94 mm)

For square trims.

Code: RS3-03SA (Satin Gold)
 RS3-04BR (Brushed Chrome)
 RS3-11 (Matte White)
 RS3-12BR (Brushed Nickel)
 RS3-13 (Satin Nickel)
 RS3-22 (Matte Black)

Outside dimensions: 5" (127 mm) x 5" (127 mm)
 Inside diameter: \varnothing 3-11/16" (94 mm)

OPENING ADAPTOR

For round trims only.

Can lip adaptor for 3-1/2" (89 mm) pot in a
 4-1/4" (108 mm) opening.

Finish: Galvanized steel

Code: 312296

Outside diameter: \varnothing 4-5/16" (110 mm)
 Inside diameter: \varnothing 3-5/8" (92 mm)

CONTRASTE

1009, rue du Parc Industriel
 Lévis (Québec) G6Z 1C5 Canada
 Tel.: 1-888-839-4624
 Fax.: 1-877-839-7057
 contrastlighting.com
 info@contrastlighting.com

© 2017 Contrast Lighting M.L. Inc.
 All rights reserved

Contrast Lighting M.L. Inc. reserves the right to make changes in specifications and/or to discontinue any product at any time without notice or obligation and will not be liable for any consequences resulting from the use of this publication.