

PROC60

6" Profilux Series

Complete Unit: LED Round Indirect Lighting Trim including the Junction Box and Driver

Project _____

Notes _____

Fixture Type _____

Date _____

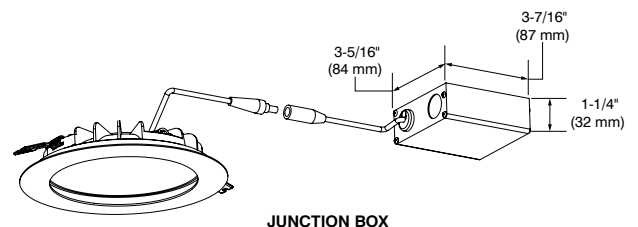
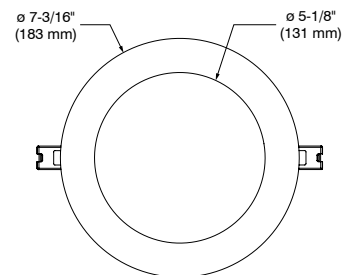
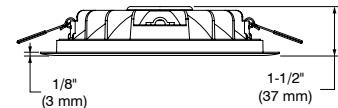


PROC60-11xx (illustrated)

Recessed ultra-thin LED trim for insulated ceiling and suitable for dry locations. The thin profile with spring clips allows for quick and easy installation. Ideal for confined spaces.

SPECIFICATIONS

COLOR TEMPERATURES	3,000K and 4,000K
CRI	80+
LED MODULE	Epistar 2835
VOLTAGE	120 VAC
POWER	12 Watts
POWER FACTOR	>85%
LUMEN OUTPUT	Up to 850 lumens, 71 lm/W
LIFESPAN	L70 @ 50,000 hours
TRIM	Thin profile 1-1/2" (38 mm) Matte White (-11) or Brushed Nickel (-12BR) available. Packaged with a plastic protection film on the bottom face to ensure ease of installation.
BEAM	Very Wide Flood → 150°
WIRE TYPE	FT4
MOUNTING	The space required beyond ceiling material is 1-1/2" (38 mm). The maximal thickness of the ceiling is 1" (25 mm). Beyond this thickness, springs will apply less pressure between the trim and the ceiling. The base of the trim will thus have some difficulty to sit flush with the ceiling.



JUNCTION BOX

CONTRASTE

1009, rue du Parc Industriel
Lévis (Québec) G6Z 1C5 Canada
Tel.: 1-888-839-4624
Fax.: 1-877-839-7057
contrastlighting.com
info@contrastlighting.com

© 2017 Contrast Lighting M.L. Inc.
All rights reserved

Contrast Lighting M.L. Inc. reserves the right to make changes in specifications and/or to discontinue any product at any time without notice or obligation and will not be liable for any consequences resulting from the use of this publication.

SPECIFICATION SHEET

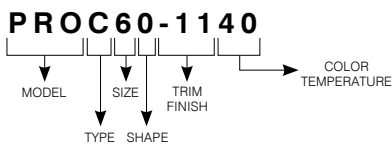
PROC60

6" Profilux Series**Complete Unit: LED Round Indirect Lighting Trim including the Junction Box and Driver**

SPECIFICATIONS (CON'T)

CEILING CUTOUT	ø 6-1/4" (159 mm) MIN ø 6-1/4" (159 mm) / MAX ø 7" (178 mm)
JUNCTION BOX	Junction box with independent auxiliary connection and keyholes for fixing to the structure. Includes driver with factory assembled triple push-in connectors. Also provided with 1 complimentary 1/2" (13 mm) strain relief connector for non-metallic sheathed cable as well as 2 screws and anchors for fixation.
DIMMING	Compatible with Electronic Low Voltage (ELV) and Incandescent (TRIAC) dimmers. We invite you to consult frequently our Web site to find our suggested compatible dimmers list: www.contrastlighting.com
OPTIONS	<ul style="list-style-type: none"> • 6' (2 m) and 20' (6 m) cables (see ordering code) • Mounting Plates (see ordering code) • Goof Rings (see ordering code)
CERTIFICATION	Certified ETL for dry locations and insulated ceiling (type IC)
WARRANTY	5-year warranty

CODIFICATION EXAMPLE



ORDERING CODES

MODEL	TYPE	SIZE	SHAPE	TRIM FINISHES	COLOR TEMPERATURES
PRO	C	6	0		
PRO Profilux	C Indirect Lighting	6 6 inches	0 Round	-11 Matte White -12BR Brushed Nickel	30 3,000K 40 4,000K

CONTRASTE

1009, rue du Parc Industriel
Lévis (Québec) G6Z 1C5 Canada
Tel.: 1-888-839-4624
Fax.: 1-877-839-7057
contrastlighting.com
info@contrastlighting.com

© 2017 Contrast Lighting M.L. Inc.
All rights reserved

Contrast Lighting M.L. Inc. reserves the right to make changes in specifications and/or to discontinue any product at any time without notice or obligation and will not be liable for any consequences resulting from the use of this publication.

PROC60

6" Profilux Series

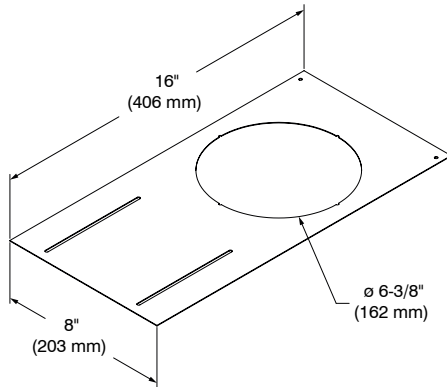
Complete Unit: LED Round Indirect Lighting Trim including the Junction Box and Driver



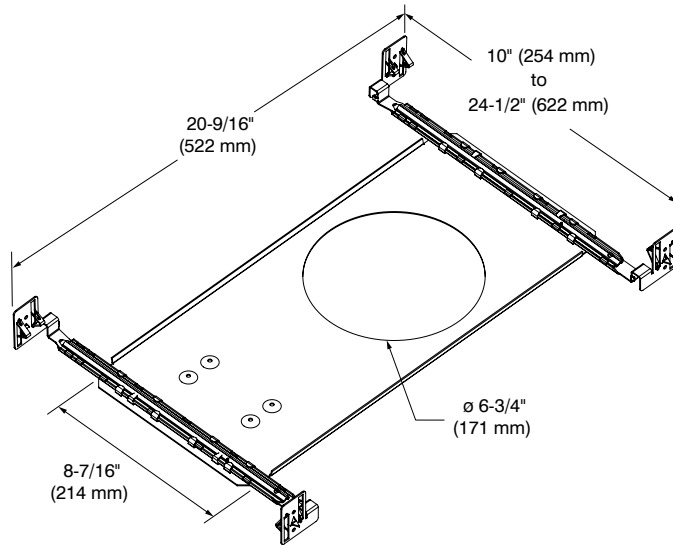
MOUNTING PLATES OPTION

Code: P6RN (without bars)

P6RNW (with bars)



P6RN



P6RNW

GOOF RINGS OPTION

Code: RR6-11 (Matte White)

RR6-12BR (Brushed Nickel)

Outside diameter: \varnothing 8" (203 mm)

Inside diameter: \varnothing 6-3/8" (162 mm)

CABLES OPTION

Code: PRO-CBL6 (6' (2 m))

PRO-CBL20 (20' (6 m))

CONTRASTE

1009, rue du Parc Industriel
Lévis (Québec) G6Z 1C5 Canada
Tel.: 1-888-839-4624
Fax.: 1-877-839-7057
contrastlighting.com
info@contrastlighting.com

© 2017 Contrast Lighting M.L. Inc.
All rights reserved

Contrast Lighting M.L. Inc. reserves the right to make changes in specifications and/or to discontinue any product at any time without notice or obligation and will not be liable for any consequences resulting from the use of this publication.