

SPECIFICATION SHEET

REA2V

2.5" Series - Ardito

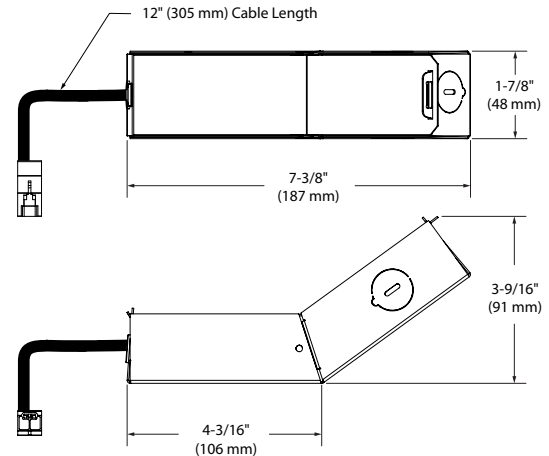
Remodel Housing

Project _____


Notes _____

Fixture type _____

Date _____



SPECIFICATIONS

HOUSING DETAILS	Galvanized steel housing. Junction box can support up to 10 - 14 gauge wires or 8 - 12 gauge wires (90° wires). Below-ceiling accessible.
MOUNTING AND SUPPORT	<p>Flanged Trim Round Cutout diameter: \varnothing 2-5/8" (67 mm)</p> <p>Flanged Trim Square Cutout: 2-5/8" (67 mm) x 2-5/8" (67 mm)</p> <p>Flangeless Trim Round Cutout diameter: \varnothing 3-3/16" (81 mm)</p> <p>Flangeless Trim Square Cutout: 3-3/16" (81 mm) x 3-3/16" (81 mm)  (Mud-in-plate sold separately)</p> <p>Optional : Reusable steel cutout template for square trim (TEMP-SQ)</p> <p>The ceiling level is determined by the choice of trim. Can fit in ceiling from 1/2" (12 mm) to 1-3/8" (35 mm) thick. Insulation material must be kept at least 3" (76 mm) away from the fixture.</p>
PERFORMANCE	Performance 1: Up to 1,000 lumens (14W)
POWER	120V - 277V
DIMMING	<p>2 types of dimming offered all within the same unit:</p> <ul style="list-style-type: none"> • Electronic Low Voltage (ELV) (120V only) • 0-10V (120V/277V) <p>Due to constant evolution of dimmers we must test them regularly. We invite you to consult frequently our Web site to find our suggested compatible dimmers list: www.contrastlighting.com</p>
COMPATIBLE TRIMS	<p>Performance 1 (14W)</p> <p>A2RFR A2RSF A2SAR</p> <p>A2RAR A2SFR A2SSF</p>
CERTIFICATION	cULus E343977 for damp and wet locations
WARRANTY	5 years on LED driver.

CONTRASTE

1009, rue du Parc Industriel
Lévis (Québec) G6Z 1C5 Canada
Tel.: 1-888-839-4624
Fax.: 1-877-839-7057
contrastlighting.com
info@contrastlighting.com

© 2017 Contrast Lighting M.L. Inc.
All rights reserved

Contrast Lighting M.L. Inc. reserves the right to make changes in specifications and/or to discontinue any product at any time without notice or obligation and will not be liable for any consequences resulting from the use of this publication.

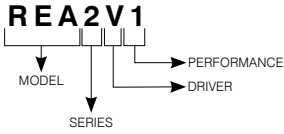
REA2V

2.5" Series - Ardito

Remodel Housing



CODIFICATION EXAMPLE



ORDERING CODE

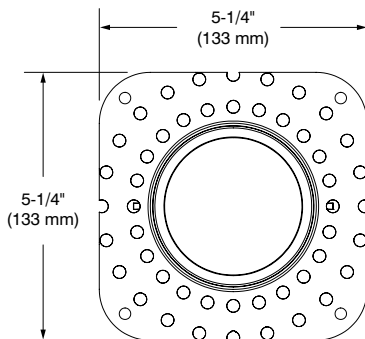
MODEL	SERIES	DRIVER	PERFORMANCE
REA	2	V	1
REA Ardito Remodel Housing	2 2-1/2" Series	V ELV (120V) 0-10V (120V) 0-10V (277V)	1 14W (1,000 lumens)

MUD-IN-PLATE OPTION

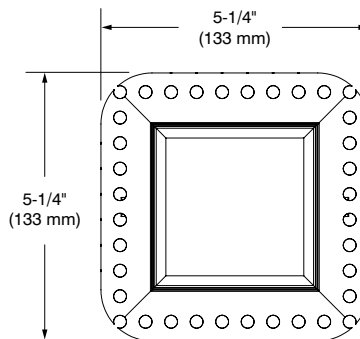
Required with the use of flangeless trims.
(see trim specification sheet for more details)

Code: MIPA2R (round)
MIPA2S (square)

ROUND



SQUARE



REA2V

2.5" Series - Ardito

Remodel Housing



MOUNTING PLATE OPTION

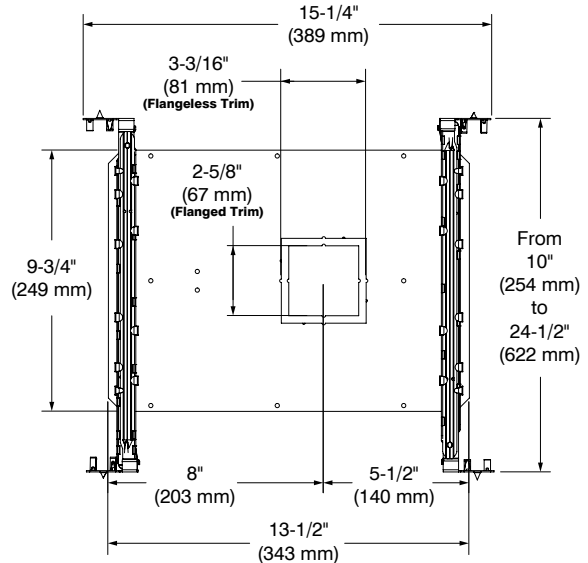
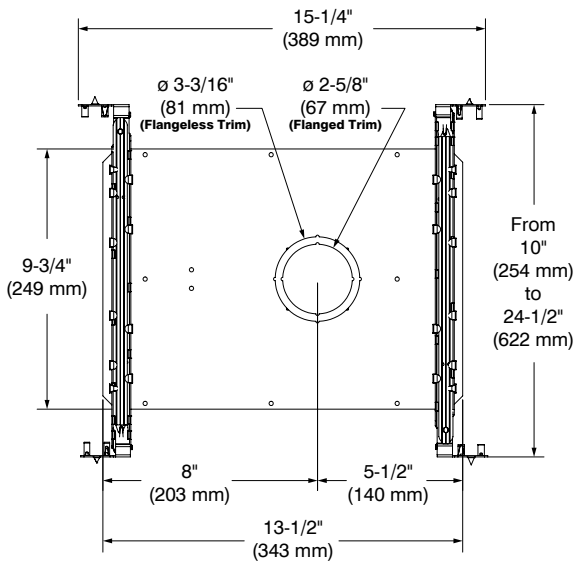
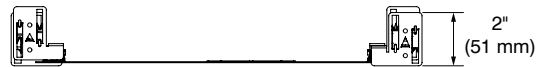
Break knock-out part to widen the hole if using flangeless trim.

Code: **PA2RNV** (round)
PA2SNV (square)

ROUND



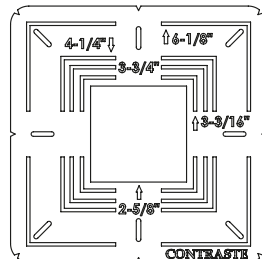
SQUARE



REUSABLE TEMPLATE OPTION

Reusable steel cutout template for square trim

Code: **TEMP-SQ**



CONTRASTE