

REUR4

4" URBAĪ Series

IC and Air Tight Remodel Housing

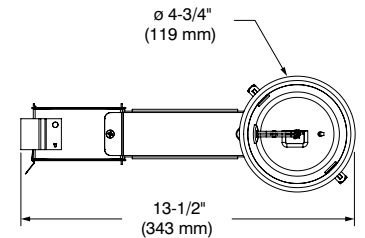
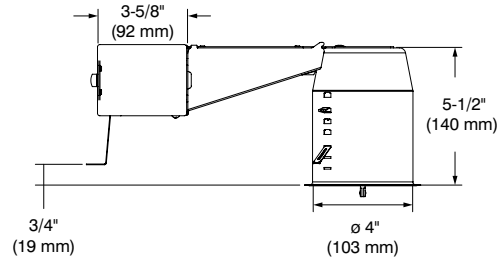


Project _____

Notes _____

Fixture Type _____

Date _____



SPECIFICATIONS

HOUSING DETAILS	MOUNTING	PERFORMANCE	VOLTAGE
<p>Up to 0,051" (1,3 mm) thick galvanized steel housing. Approved for installation in insulated ceilings and in direct contact with insulating material (except polyurethane) on performance 1 only.</p> <p>19-1/2 in³ junction box.</p> <p>Below-ceiling accessible.</p>	<p>Cutout diameter: ø 4-1/4" (108 mm)</p> <p>Can fit ceilings up to 1-1/4" (32 mm) thick.</p> <p>Requires a 7" (178 mm) clearance beyond the ceiling level.</p> <p>Snap-in hooks for ease of installation and a perfect fit to ceiling.</p> <p>No light leakage.</p>	<p>1: 10W IC up to 1,018 lm</p> <p>2: 15W Non-IC up to 1,326 lm</p> <p>Warm Dimming (WD) up to 650 lm</p>	<p>120 Volts 277 Volts 120 / 277 Volts (universal)</p>
DIMMING	COMPATIBLE TRIMS	CERTIFICATION	WARRANTY
<p>ELV: 120V only</p> <p>0-10V: Sourcing driver (Sinking Control) 120V or 277V</p> <p>We invite you to consult frequently our Website to find our suggested compatible dimmers list: www.contrastlighting.com</p>	<p>JAB LISTED JAB8 CERTIFIED (CEC)</p> <p>UR4A, UR4B, UR4C, UR4D, UR4E, UR4H, UR4J</p> <hr/> <p>UR4G, UR4K</p>	<ul style="list-style-type: none"> cULus E343977 for damp locations; wet with shower trim only. Air Tight tested in accordance with ASTM E283 CALIFORNIA TITLE 24 (JA8-2016) (Only available with Performance 1) 	<p>1 year on components against manufacturing defects.</p> <p>5 years on LED arrays and drivers.</p>

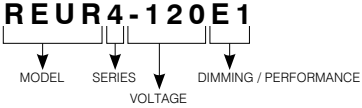
REUR4

4" URBAÏ Series

IC and Air Tight Remodel Housing



CODIFICATION EXAMPLE FOR 120V



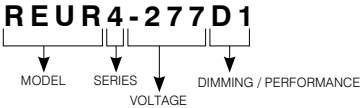
ORDERING CODES for 120V

MODEL	SERIES	VOLTAGE	DIMMING / PERFORMANCE
REUR	4	-120	
REUR Remodel	4 4" Series	-120 120V	E1 ELV / 10W E2* ELV / 15W EB2* ELV (+Value) / 15W D1 0-10V / 10W — D2* 0-10V / 15W

Contraste suggests ordering **EB2 (ELV (+Value)/15W)** or **D2 (0-10V/15W)** dimming type and performance to use with Warm Dimming

* Non-IC rated

CODIFICATION EXAMPLE FOR 277V



ORDERING CODES for 277V

MODEL	SERIES	VOLTAGE	DIMMING / PERFORMANCE
REUR	4	-277	
REUR Remodel	4 4" Series	-277 277V	D1 0-10V / 10W D2* 0-10V / 15W 2* Non-Dimmable / 15W

Contraste suggests ordering **D2 (0-10V/15W)** dimming type and performance to use with Warm Dimming

* Non-IC rated

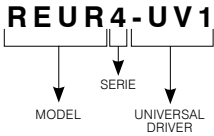
REUR4

4" URBAÏ Series

IC and Air Tight Remodel Housing



UNIVERSAL HOUSING CODIFICATION EXAMPLE



ORDERING CODES for Universal Housing

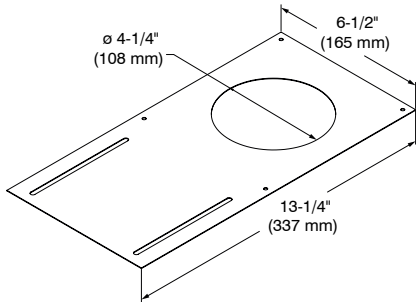
MODEL	SERIE	UNIVERSAL DRIVER
REUR	4	
REUR Remodel	4 4" Series	-UV1 Performance 1 ELV (120V) 10W 0-10V (120V) 10W 0-10V (277V) 10W
		-UV2* Performance 2 ELV (120V) 15W 0-10V (120V) 15W 0-10V (277V) 15W

Contraste suggests ordering **UV2 (ELV/0-10V/15W)** dimming type and performance to use with Warm Dimming

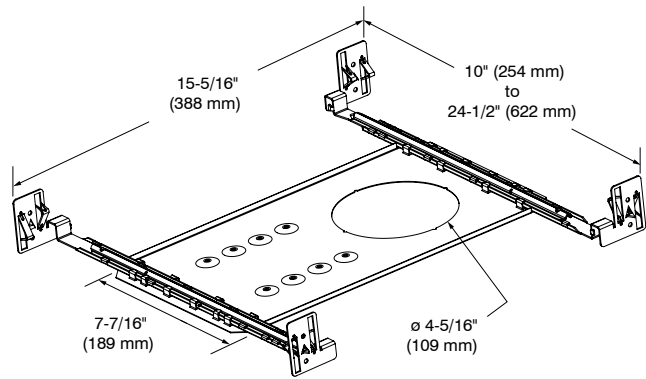
* Non-IC rated

MOUNTING PLATES

Code: **P4RN** (without bars)
P4RNV (with bars)



P4RN



P4RNV

REUR4

4" URBAÏ Series

IC and Air Tight Remodel Housing



GOOF RINGS

Goof rings will help you fix larger than necessary or damaged ceiling cutouts.

For round trims.

Code: RR4-01 (White)
RR4-03SA (Satin Gold)
RR4-04BR (Brushed Chrome)
RR4-11 (Matte White)
RR4-12BR (Brushed Nickel)
RR4-13 (Satin Nickel)
RR4-22 (Matte Black)
RR4-25 (Polar Grey)

Outside diameter: \varnothing 6-1/8" (156 mm)

Inside diameter: \varnothing 4-1/8" (105 mm)

For square trims.

Code: RS4-01 (White)
RS4-03SA (Satin Gold)
RS4-04BR (Brushed Chrome)
RS4-11 (Matte White)
RS4-12BR (Brushed Nickel)
RS4-13 (Satin Nickel)
RS4-22 (Matte Black)
RS4-25 (Polar Grey)

Outside dimensions: 5-1/2" (140 mm) x 5-1/2" (140 mm)

Inside diameter: \varnothing 4-1/8" (105 mm)

CONTRASTE

1009, rue du Parc Industriel
 Lévis (Québec) G6Z 1C5 Canada
 Tel.: 1-888-839-4624
 Fax.: 1-877-839-7057
 contrastlighting.com
 info@contrastlighting.com

© 2017 Contrast Lighting M.L. Inc.
 All rights reserved

Contrast Lighting M.L. Inc. reserves the right to make changes in specifications and/or to discontinue any product at any time without notice or obligation and will not be liable for any consequences resulting from the use of this publication.