

# UR3G

## 3-1/2" Series Round Wall Wash Trim



Project \_\_\_\_\_

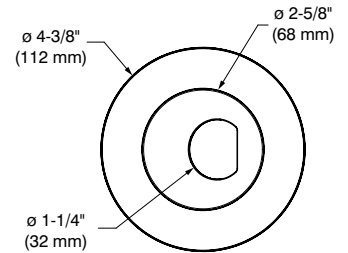
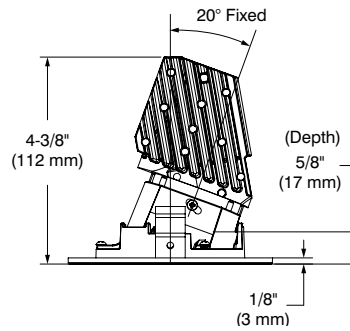
Notes \_\_\_\_\_

Fixture Type \_\_\_\_\_

Date \_\_\_\_\_



UR3GF-1111 (illustrated)



## SPECIFICATIONS

### LED MODULE

#### SOLID COLORS

Lumileds Luxeon CoB  
 2,700K - CRI: 80+ and 90+  
 3,000K - CRI: 80+ and 90+  
 3,500K - CRI: 90+  
 4,000K - CRI: 90+  
 Lumens Maintenance:  
 L<sub>70</sub> @ 50,000 hours  
 Binning: 3 SDCM

### LED MODULE (CONT'D)

#### WARM DIMMING (WD)

LED module mimicking the halogen lamp dimming conditions by lowering color temperature from 3,050K at full intensity down to 1,800K at low-end while ensuring 90+ CRI throughout the whole process.  
 Lumens Maintenance:  
 L<sub>70</sub> @ 50,000 hours  
 Binning: 3 SDCM

### DELIVERED LUMENS

#### Performance 1 (10W):

**516 lumens @ 3,000K, 51.6 lms/W**

#### Performance 2 (15W):

**672 lumens @ 3,000K, 44.8 lms/W**

Warm Dimming (WD)

**329 lumens @ 3,000K, 21.9 lms/W**

### OPTIC SYSTEM\*

Optical reflector available:  
 Flood

#### Standard

Flood (L)	65°
-----------	-----

\* Average beam shown. Consult .ies files on our Website for more details.

### LENS

Frosted (F) for uniform lighting distribution ensuring optimal results.

### PAINTED REFLECTORS

Natural Anodized Aluminum (AN)  
 Matte White (11)  
 Matte Black (22)  
 (Suggested for an optimal result)

### POWER SUPPLY

#### (Determined by the choice of housing)

120V, 277V or 120V/277V  
 Several driver models available in two performances (10W and 15W) and in two dimming options (ELV and 0-10V).  
 See housing specification sheets for more details.

### HEAT SINK

High quality aluminum injected heat sink ensuring maximum heat dissipation.

### TRIM

Powder coat painted or plated aluminum injected. 20° fixed tilt.

### CEILING CUTOUT

**ø 3-3/4" (95 mm)**

# UR3G

## 3-1/2" Series Round Wall Wash Trim



### SPECIFICATIONS (CONT'D)

#### COMPATIBLE HOUSINGS

	Remodel Housings	New Construction Housings	IC Housings
<b>Performance 1</b> 10W Warm Dimming not compatible	<b>IC and Air Tight</b> REUR3-120D1 REUR3-120E1 REUR3-277D1 REUR3-UV1	<b>IC and Air Tight</b> NWUR3-120D1 NWUR3-120E1 NWUR3-277D1 NWUR3-UV1 <b>Emergency Driver Non-IC and Air Tight</b> NWUR3-120D1-EM NWUR3-120E1-EM NWUR3-277D1-EM NWUR3-UV1-EM	<b>Air Tight</b> ISUR3-120D1 ISUR3-120E1 ISUR3-277D1 ISUR3-UV1 <b>Chicago Plenum and Polyurethane Air Tight</b> ISUR3-120D1P ISUR3-120E1P ISUR3-277D1P ISUR3-UV1P
<b>Performance 2</b> 15W MAX	<b>Non-IC and Air Tight</b> REUR3-120D2 REUR3-120E2 REUR3-120EB2 REUR3-2772 REUR3-277D2 REUR3-UV2	<b>Non-IC and Air Tight</b> NWUR3-120D2 NWUR3-120E2 NWUR3-120EB2 NWUR3-2772 NWUR3-277D2 NWUR3-UV2 <b>Emergency Driver Non-IC and Air Tight</b> NWUR3-120D2-EM NWUR3-120E2-EM NWUR3-120EB2-EM NWUR3-2772-EM NWUR3-277D2-EM NWUR3-UV2-EM	<b>Air Tight</b> ISUR3-120D2 ISUR3-120E2 ISUR3-120EB2 ISUR3-2772 ISUR3-277D2 ISUR3-UV2 <b>Chicago Plenum Air Tight</b> ISUR3-120D2P ISUR3-120E2P ISUR3-120EB2P ISUR3-2772P ISUR3-277D2P ISUR3-UV2P

For dimming, please visit our Web site frequently to find our suggested compatible dimmers list:

[www.contrastlighting.com](http://www.contrastlighting.com)

Contraste suggests ordering  
**EB2 (ELV (+Value)/15W),  
D2 (0-10V/15W)**  
or  
**UV2 (ELV/0-10V/15W)**  
dimming type and performance to use with Warm Dimming

#### CERTIFICATION

cULus **E343977** for damp locations

#### WARRANTY

1 year on components against manufacturing defects  
5 years on LED arrays and drivers

# CONTRASTE

1009, rue du Parc Industriel  
Lévis (Québec) G6Z 1C5 Canada  
Tel.: 1-888-839-4624  
Fax.: 1-877-839-7057  
contrastlighting.com  
info@contrastlighting.com

© 2017 Contrast Lighting M.L. Inc.  
All rights reserved

Contrast Lighting M.L. Inc. reserves the right to make changes in specifications and/or to discontinue any product at any time without notice or obligation and will not be liable for any consequences resulting from the use of this publication.

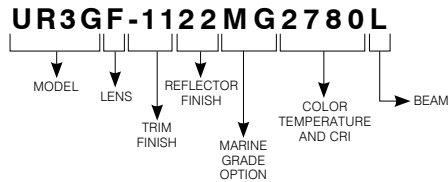
SPECIFICATION SHEET

# UR3G

## 3-1/2" Series Round Wall Wash Trim



CODIFICATION EXAMPLE



ORDERING CODES

MODEL	LENS	TRIM FINISHES	REFLECTOR FINISHES	MARINE GRADE	COLOR TEMPERATURES AND CRI	BEAM
<b>UR3G</b>	<b>F</b>					<b>L</b>
<b>UR3G</b>	<b>F</b> Frosted	<b>-01</b> White	<b>PAINTED</b>	<b>MG (optional)</b>	<b>2780</b> 2,700K (80+ CRI)	<b>L</b> Flood (65°)
		<b>-03SA</b> Satin Gold	<b>AN</b> Natural Anodized Aluminum	May be applied on finishes: -01, -11 -22 and -25	<b>3080</b> 3,000K (80+ CRI)	
		<b>-04BR</b> Brushed Chrome	<b>11</b> Matte White		<b>2790</b> 2,700K (90+ CRI)	
		<b>-11</b> Matte White	<b>22</b> Matte Black (Suggested for an optimal result)		<b>3090</b> 3,000K (90+ CRI)	
		<b>-12BR</b> Brushed Nickel	(Not available with <b>-03SA</b> finish)		<b>3590</b> 3,500K (90+ CRI)	
		<b>-13</b> Satin Nickel			<b>4090</b> 4,000K (90+ CRI)	
		<b>-22</b> Matte Black			<b>WD90</b> Warm Dimming (90+ CRI)	
		<b>-25</b> Polar Grey				
		(-25 finish perfectly matches with <b>AN</b> reflector finish)				Compatible with 15W drivers only (EB2, D2 and UV2)

GOOF RINGS

Goof rings will help you fix larger than necessary or damaged ceiling cutouts.

- Code: RR3-01** (White)  
**RR3-03SA** (Satin Gold)  
**RR3-04BR** (Brushed Chrome)  
**RR3-11** (Matte White)  
**RR3-12BR** (Brushed Nickel)  
**RR3-13** (Satin Nickel)  
**RR3-22** (Matte Black)  
**RR3-25** (Polar Grey)

Outside diameter: ø 6-1/8" (156 mm)  
 Inside diameter: ø 3-11/16" (94 mm)

OPENING ADAPTOR

Can lip adaptor for 3-1/2" (89 mm) pot in a 4-1/4" (108 mm) opening.

**Finish:** Galvanized steel

**Code: 312296**

Outside diameter: ø 4-5/16" (110 mm)  
 Inside diameter: ø 3-5/8" (92 mm)

# CONTRASTE

1009, rue du Parc Industriel  
 Lévis (Québec) G6Z 1C5 Canada  
 Tel.: 1-888-839-4624  
 Fax.: 1-877-839-7057  
 contrastlighting.com  
 info@contrastlighting.com

© 2017 Contrast Lighting M.L. Inc.  
 All rights reserved

Contrast Lighting M.L. Inc. reserves the right to make changes in specifications and/or to discontinue any product at any time without notice or obligation and will not be liable for any consequences resulting from the use of this publication.

# UR3G

## 3-1/2" Series Round Wall Wash Trim



### PHOTOMETRIC DATA

In order to obtain the accurate photometric data, multiply the lumens relative to your product selection by the applicable factor(s) below tables. Take note these factors also need to be implemented in the .ies files available on our website.

#### With performance 1 housing

	Flood (65°)	
2,700K with 80+ CRI	504 lms	50.4 lms/W
3,000K with 80+ CRI	516 lms	51.6 lms/W

2,700K with 90+ CRI	418 lms	41.8 lms/W
3,000K with 90+ CRI	432 lms	43.2 lms/W
3,500K with 90+ CRI	456 lms	45.6 lms/W
4,000K with 90+ CRI	469 lms	46.9 lms/W
Warm Dimming with 90+ CRI	Not available with performance 1 housings	

Performance 1 Housings Factors	
XXUR-120E1	0.90
XXUR-120D1 or XXUR-277D1	1

#### With performance 2 housing

	Flood (65°)	
2,700K with 80+ CRI	656 lms	43.7 lms/W
3,000K with 80+ CRI	672 lms	44.8 lms/W

2,700K with 90+ CRI	545 lms	36.3 lms/W
3,000K with 90+ CRI	563 lms	37.5 lms/W
3,500K with 90+ CRI	594 lms	39.6 lms/W
4,000K with 90+ CRI	610 lms	40.6 lms/W
Warm Dimming with 90+ CRI	329 lms	21.9 lms/W

Performance 2 Housings Factors	
XXUR-120E2	0.95
XXUR-120EB2, XXUR-120D2, XXUR-2772 or XXUR-277D2	1

Reflectors Factors	
AN	0.99
11	1
22	0.97

# CONTRASTE

1009, rue du Parc Industriel  
Lévis (Québec) G6Z 1C5 Canada  
Tel.: 1-888-839-4624  
Fax.: 1-877-839-7057  
contrastlighting.com  
info@contrastlighting.com

© 2017 Contrast Lighting M.L. Inc.  
All rights reserved

Contrast Lighting M.L. Inc. reserves the right to make changes in specifications and/or to discontinue any product at any time without notice or obligation and will not be liable for any consequences resulting from the use of this publication.

# UR3G

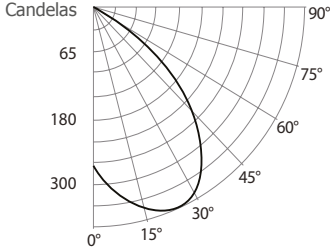
## 3-1/2" Series Round Wall Wash Trim



### PHOTOMETRIC DATA

#### 3,000K, 90+ CRI, Flood, Performance 1

##### CANDLEPOWER DISTRIBUTION



##### LIGHT CONE

Distance	FC	DIA
06'	7.17	7.6'
08'	4.03	10.1'
10'	2.58	12.7'
12'	1.79	15.2'
14'	1.32	17.8'
16'	1.01	20.3'

Beam: 64.8°  
Beam Edge defined as 50% of Maximum Nadir Candle-power.

##### LUMINAIRE

Performance 1 LED	3,000K Flood	
CPCB / Lumens	258	/ 433
Watts	120V	277V
	10W	10W
Operating AMPS	0.083A	0.036A
Lumen Maintenance	L70 @ 50,000 Hrs	
CRI	90+	
Lumens/Watt	43.3	
Spacing Criteria	0.26	

##### COEFFICIENT OF UTILIZATION - %

Ceiling Reflect %	80		50		30		
Wall Reflect %	50	30	50	30	50	30	
RCR	0	119	119	111	111	106	106
	2	98	93	93	89	90	86
	4	80	73	77	71	75	70
	6	67	59	64	58	63	57
	8	57	49	55	48	54	48
	10	49	42	47	41	47	41

Zonal Cavity Method  
Effective Floor Cavity Reflectance 20%

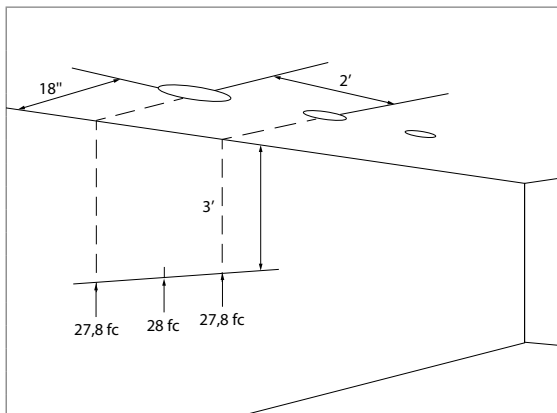
##### ZONAL LUMEN SUMMARY

ZONE	LUMENS	%LUMINAIRE
0-30	184.3	82.2%
0-40	284.2	96.3%
0-60	412.1	99.8%
60-90	20.9	0.2%
0-90	433	100%

##### CANDELAS DISTRIBUTION

DEGREES/ VERTICAL	CANDELAS
0	258
15	336
30	332
45	230
60	63
75	4
90	0

##### Footcandles On Wall - Performance 1



Distance from ceiling (Foot)	18" from wall 2' on center		
0.5	0.3	0.3	0.3
1	10.4	10.4	10.4
1.5	34	34	34
2	40.3	40.4	40.3
2.5	34.9	35	34.9
3	27.8	28	27.8
4	16.8	17.1	16.8
5	10.4	10.7	10.4
6	6.8	7	6.8
7	4.6	4.8	4.6
8	3.3	3.4	3.3
9	2.4	2.9	2.4
10	1.8	1.9	1.8

Note: Footcandles Data

# UR3G

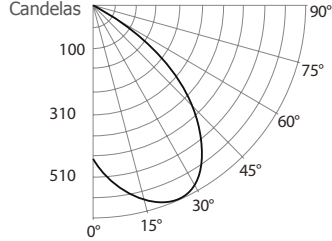
## 3-1/2" Series Round Wall Wash Trim



### PHOTOMETRIC DATA

#### 3,000K, 90+ CRI, Flood, Performance 2

##### CANDLEPOWER DISTRIBUTION



##### LIGHT CONE

Distance	FC	DIA
06'	12.17	7.6'
08'	6.84	10.1'
10'	4.38	12.7'
12'	3.04	15.2'
14'	2.23	17.7'
16'	1.71	20.3'

**Beam: 64.7°**  
Beam Edge defined as 50% of Maximum Nadir Candle-power.

##### LUMINAIRE

<b>Performance 2 LED</b>	3,000K Flood	
<b>CPCB / Lumens</b>	438	/ 735.3
<b>Watts</b>	<b>120V</b>	<b>277V</b>
	15W	15W
<b>Operating AMPS</b>	0.125A	0.054A
<b>Lumen Maintenance</b>	L70 @ 50,000 Hrs	
<b>CRI</b>	90+	
<b>Lumens/Watt</b>	49	
<b>Spacing Criteria</b>	0.26	

##### COEFFICIENT OF UTILIZATION - %

Ceiling Reflect %	80		50		30		
Wall Reflect %	50	30	50	30	50	30	
<b>RCR</b>	0	119	119	111	111	106	106
	2	98	93	93	89	90	86
	4	80	73	77	71	75	70
	6	67	59	64	58	63	57
	8	57	49	55	48	54	48
	10	49	42	47	41	47	41

**Zonal Cavity Method**  
Effective Floor Cavity Reflectance 20%

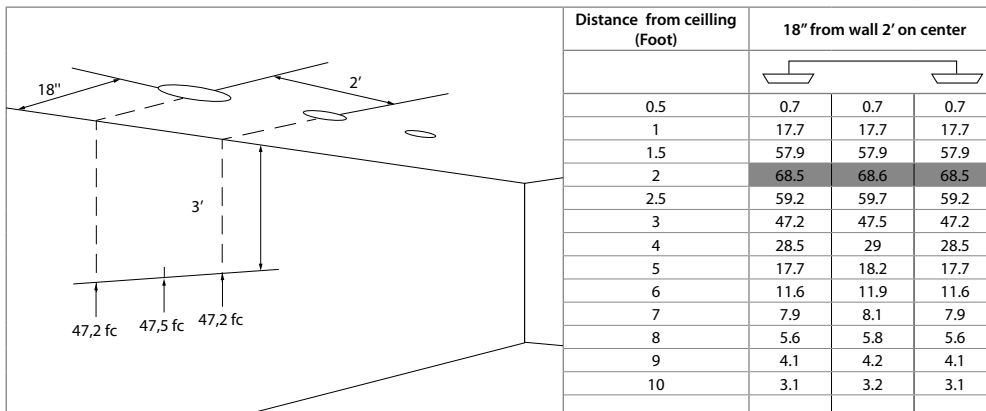
##### ZONAL LUMEN SUMMARY

ZONE	LUMENS	%LUMINAIRE
0-30	313	42.6%
0-40	482.5	65.6%
0-60	699.7	95.2%
60-90	35.6	4.8%
0-90	735.3	100%

##### CANDELAS DISTRIBUTION

DEGREES/VERTICAL	CANDELAS
0	438
15	571
30	563
45	390
60	107
75	6
90	0

#### Footcandles On Wall - Performance 2



Note: Footcandles Data