

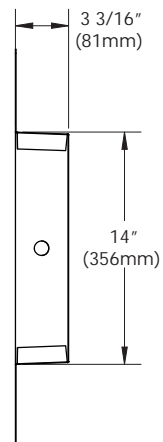
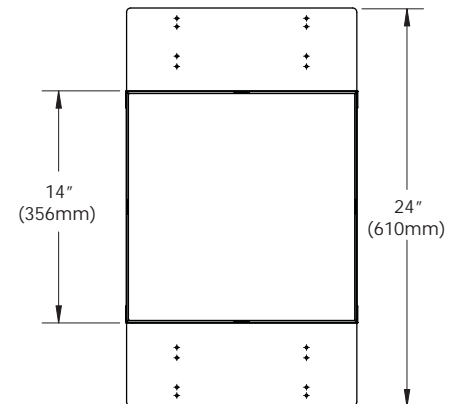
# W-FRB1

Project	
Notes	
Fixture Type	
Date	

## Fire Rated Barrier - wall application

### SPECIFICATIONS

DETAILS	Metallic Enclosure for in wall lighting fixture applications.
DIMENSIONS	24.00" L x 14.00" W x 3.20" D
WEIGHT	5,9 lbs
LISTING	UL 263, ASTM E119, NFPA 251, UBC 7.1, ANSI A2.1, ULC S101
RATING	<b>1 Hour</b> ASTM E119 against active Fire
INSTALLATION	<ul style="list-style-type: none"> <li>• For installation in 2 x 4" structure.</li> <li>• Fit within 16" and 24" On Center truss.</li> <li>• A maximum of 2 standard 3C-12AWG "Romex" wires shall penetrate the enclosure as per FRPS written installation instructions.</li> <li>• Apply Firestop seal to fill voids and cavities around the power supply electrical knockouts.</li> </ul> <p>• Maximum 1 Fixture/100 square feet. <b>(Make sure you meet the local building code.)</b></p>
APPLICATION	<ul style="list-style-type: none"> <li>- Outlet boxes</li> <li>- Light Control Panel (switch dimmer)</li> <li>- Wall plugs</li> </ul>



### COMPATIBILITY

WS series

DEC series

### ORDERING CODE

MODEL	OPTIONS
<b>WFRB</b>	
WFRB	1