

SPECIFICATION SHEET

3 1/2" 3000 SERIES

B3600

DECOR TRIM



YES

Damp Location



PAR20 50W

PAR



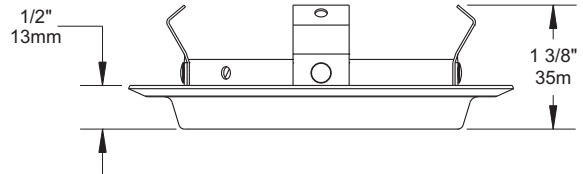
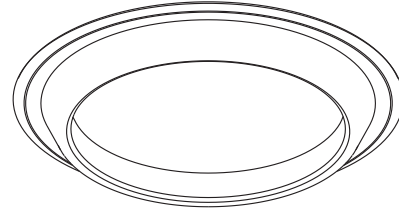
Insulated ceiling housing
ISCA3600



New construction housing
NW3600CA



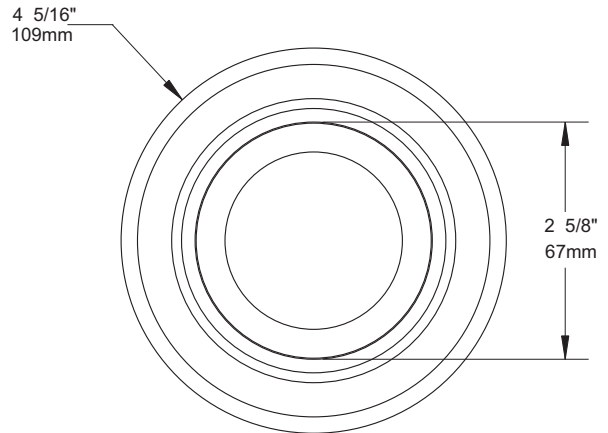
Remodel housing
CA3600



COMPATIBLE HOUSINGS

50W PAR20

CA3600
ISCA3600
NW3600CA



TRIM FINISHES

- | | | |
|--------------|--------------------------|----------------------|
| -01 WHITE | -04BR BRUSHED CHROME | -08 ANTIQUE SILVER |
| -02 BLACK | -05 ARCHITECTURAL BRONZE | -11 MATTE WHITE |
| -03 24K GOLD | -06 ANTIQUE COPPER | -12BR BRUSHED NICKEL |
| -04 CHROME | -07 ANTIQUE BRASS | -13 SATIN NICKEL |
| | | -14 ALMOND |

Unless otherwise indicated, trims are for **interior use only**. For exterior use and up to wet conditions, **MARINE GRADE** treatment is **recommended**. Available for finishes -01, -02, -05, -06, -11 and -14 only.



Project _____

Representative _____

CONTRAST
L I G H T I N G

1009, rue du Parc Industriel, Saint-Jean-Chrysostome, Qc, CAN G6Z 1C5 Tel.: 1-888-839-4624 Fax : 1-877-839-7057
info@contrastlighting.com
www.contrastlighting.com

APRIL 2010