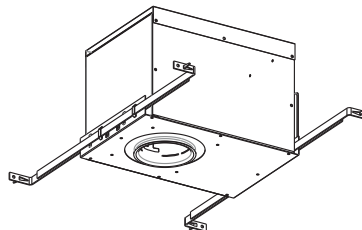


# SPECIFICATION SHEET

3 1/2" 3000 SERIES

# ISMR3000E35

INSULATED CEILING HOUSING WITH ELECTRONIC CONVERTER



	<b>YES</b>
<b>Damp Location</b>	
	<b>MR16 35W MAX</b>
<b>MR16</b>	
	<b>ELECTRONIC CONVERTER</b>
<b>ELECTRONIC CONVERTER</b>	
	<b>ISMR3000E35 : 120 VOLTS (CAN &amp; USA)</b>
<b>Voltage</b>	
	<b>T°C 120°C No 031</b>
<b>Thermal Protector</b>	
	<b>3 3/4" (95mm)</b>
<b>OD Cut</b>	
	<b>E174023</b>
<b>UL LISTED</b>	
	<b>Overall Dimensions :</b> Length : 15 1/4" (387mm) Width : 8 1/4" (210mm) Height : 7 7/8" (200mm)
<b>Dimensions</b>	

## COMPATIBLE TRIMS

### MR16 35W

R3151	S3145	T3000	T3250
R3151W	S3151	T3100	T3260
R3152	S3400	T3125	T3300
R3601	S3450	T3145	T3400
R3601W	S3500	T3145D	T3400D
R3602	S3601	T3145W	T3400W
R3651	S3651	T3152	T3450
R3651W		T3200	T3450D
R3652			T3450W

## OPTIONS

### CHICAGO PLENUM

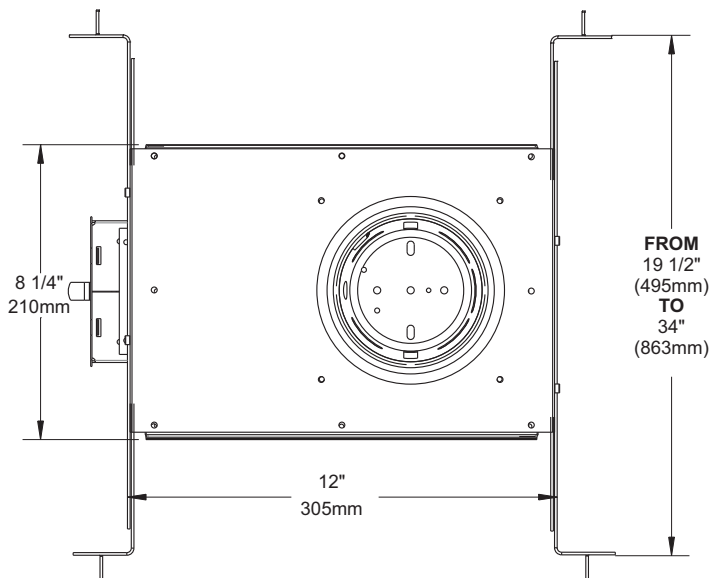
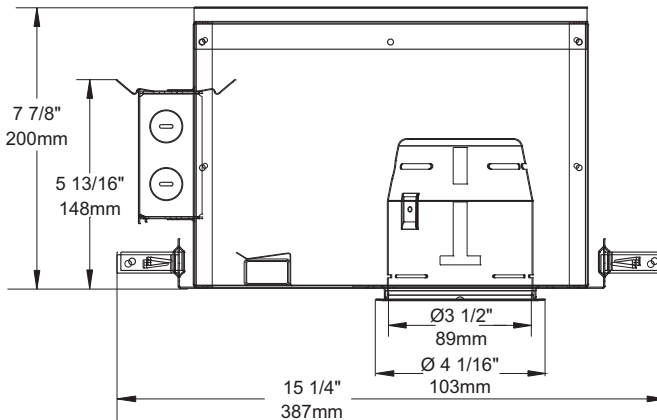
Requirement for all lighting fixtures installed in the city of Chicago. Complies for ceiling air Plenum.  
Code : ISMR3000E35P

### TITLE 24

Complies with California State Title 24 Energy Code.  
Code : ISMR3000E35W

## TECHNICAL SPECIFICATIONS

0,021" (0,53mm) thickness Galvanized Steel.  
Below-ceiling accessible.  
Hooks PAT#CAN 2,088,648 and #USA 5,377,088.  
Takes up to 7/8" thick ceiling.  
Perfect fit into ceiling.  
No light leak.



Your representative : \_\_\_\_\_

Your project : \_\_\_\_\_