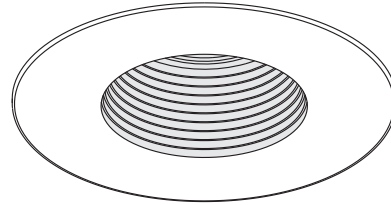


# SPECIFICATION SHEET

4" 2000 SERIES

# R2000V

REGRESSED TRIM WITH NATURAL FROSTED STEPPED GLASS REFLECTOR (ST)



YES

Damp Location



MR16

20-50W



Reflector

Three available glass reflector colors : Natural, Blue and Green  
 For a Natural glass reflector : R2000V-XXST  
 For a Blue glass reflector : R2010V-XXST  
 For a Green glass reflector : R2030V-XXST



Insulated ceiling housing

ISMR2000M, ISMR2000E35, ISMR2000M35,  
 ISMR2000E37, ISMR2000M37



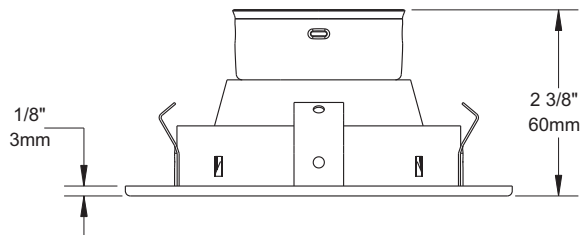
New construction housing

NW2000CM, NW2000E, NW2000LM



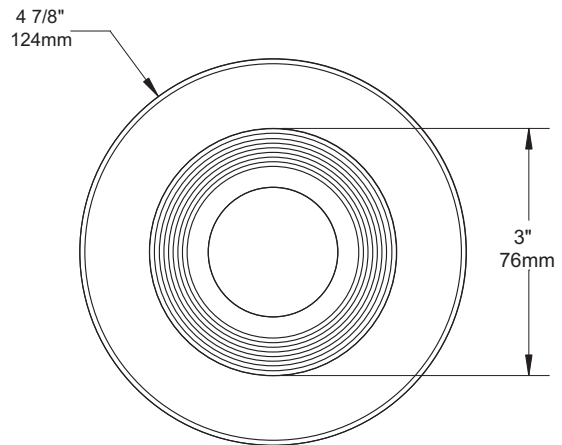
Boîtier rénovateur

IT2000M, IT2000E



## COMPATIBLE HOUSINGS

50W MR16	37W MR16	35W MR16
ISMR2000M	ISMR2000E37	ISMR2000E35
IT2000M	ISMR2000M37	ISMR2000M35
IT2000E		
NW2000CM		
NW2000E		
NW2000LM		



## TRIM FINISHES

-01 WHITE	-04BR BRUSHED CHROME	-08 ANTIQUE SILVER
-02 BLACK	-05 ARCHITECTURAL BRONZE	-11 MATTE WHITE
-03 24K GOLD	-06 ANTIQUE COPPER	-12BR BRUSHED NICKEL
-04 CHROME	-07 ANTIQUE BRASS	-13 SATIN NICKEL
		-14 ALMOND

Unless otherwise indicated, trims are for interior use only. For exterior use and up to wet conditions, **MARINE GRADE** treatment is recommended. Available for finishes -01, -02, -05, -06, -11 and -14 only.



Certified UL Standards

Project \_\_\_\_\_

Representative \_\_\_\_\_

**CONTRAST**  
L I G H T I N G

1009, rue du Parc Industriel, Saint-Jean-Chrysostome, Qc, CAN G6Z 1C5 Tel.: 1-888-839-4624 Fax : 1-877-839-7057  
 info@contrastlighting.com  
 www.contrastlighting.com

APRIL 2010