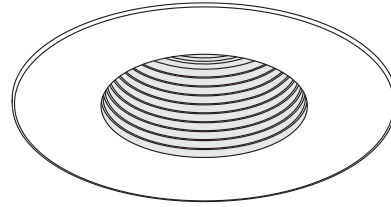


SPECIFICATION SHEET

4" 2000 SERIES

R2030V

REGRESSED TRIM WITH GREEN FROSTED STEPPED GLASS REFLECTOR (ST)



YES

Damp Location



MR16

20-50W



Reflector

Three available glass reflector colors : Natural, Blue and Green
For a Natural glass reflector : R2000V-XXST
For a Blue glass reflector : R2010V-XXST
For a Green glass reflector : R2030V-XXST



Insulated ceiling housing

ISMR2000M, ISMR2000E35, ISMR2000M35,
ISMR2000E37, ISMR2000M37



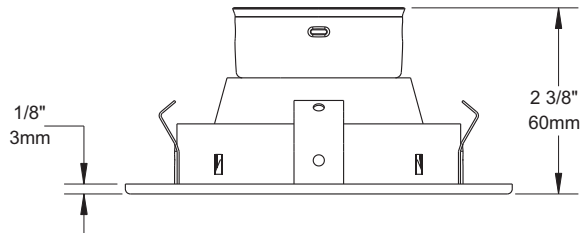
New construction housing

NW2000CM, NW2000E, NW2000LM



Boîtier rénovateur

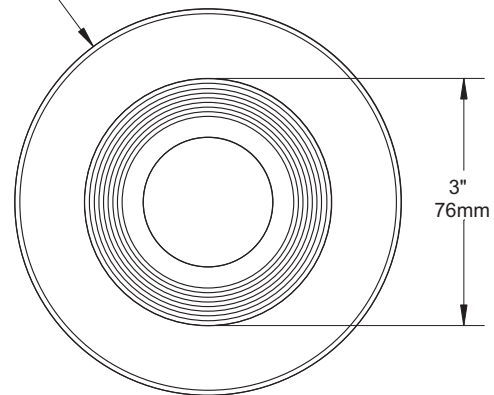
IT2000M, IT2000E



COMPATIBLE HOUSINGS

50W MR16	37W MR16	35W MR16
ISMR2000M	ISMR2000E37	ISMR2000E35
IT2000M	ISMR2000M37	ISMR2000M35
IT2000E		
NW2000CM		
NW2000E		
NW2000LM		

4 7/8"
124mm



TRIM FINISHES

-01 WHITE	-04BR BRUSHED CHROME	-08 ANTIQUE SILVER
-02 BLACK	-05 ARCHITECTURAL BRONZE	-11 MATTE WHITE
-03 24K GOLD	-06 ANTIQUE COPPER	-12BR BRUSHED NICKEL
-04 CHROME	-07 ANTIQUE BRASS	-13 SATIN NICKEL
		-14 ALMOND

Unless otherwise indicated, trims are for **interior use only**. For exterior use and up to wet conditions, **MARINE GRADE** treatment is **recommended**. Available for finishes -01, -02, -05, -06, -11 and -14 only.



Certified UL Standards

Project _____

Representative _____

CONTRAST
L I G H T I N G

1009, rue du Parc Industriel, Saint-Jean-Chrysostome, Qc, CAN G6Z 1C5 Tel.: 1-888-839-4624 Fax : 1-877-839-7057
info@contrastlighting.com
www.contrastlighting.com

JULY 2010