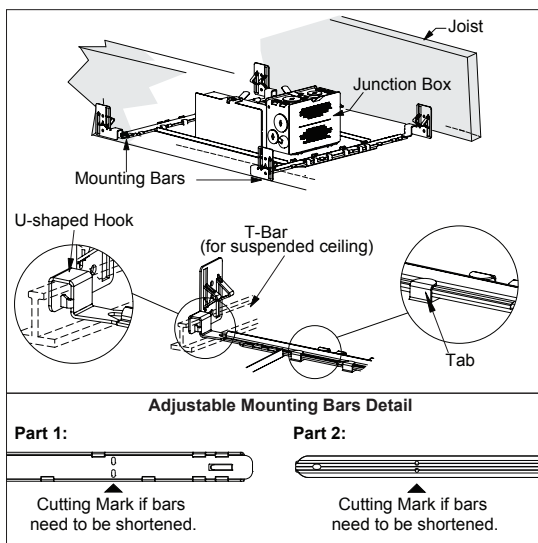


Ardito

“NON-IC” Ardito New Construction Housings with Emergency Driver
SUITABLE FOR DAMP LOCATION

NWA3RV1-EM, NWA3RV2-EM, NWA4RV1-EM, NWA4RV2-EM
NWA3SV1-EM, NWA3SV2-EM, NWA4SV1-EM, NWA4SV2-EM

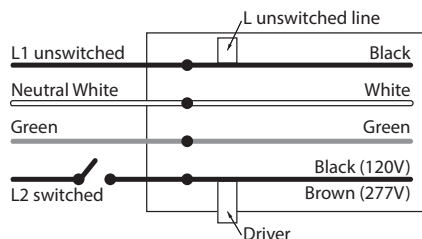
- SHUT OFF ELECTRICAL SUPPLY AT SOURCE.**
- Choose position of mounting frame and install before the ceilings. Fasten the mounting frame to the wood joist (or other ceiling type) with the adjustable mounting bars (10" to 24.5"). To shorten the bars to 10", remove bars and cut off at the notch (See adjustable mounting bars detail view).
- Once the correct bar length is known, fold down and press tabs to lock the plate to the mounting bars. Using pliers, tighten the U-shaped hooks on the T-bars.



- Bring the electrical wiring to the housing junction box as per applicable local electrical codes.
- Open the junction box and connect the wires. (ref. Connections Diagram) Before closing the junction box, make sure to pull the wire feeding the trim outside the pot, then close the junction box.

Connections Diagram

Note: For proper charging and function of emergency driver, an unswitched hot conductor must be connected to emergency system independent of the driver power.



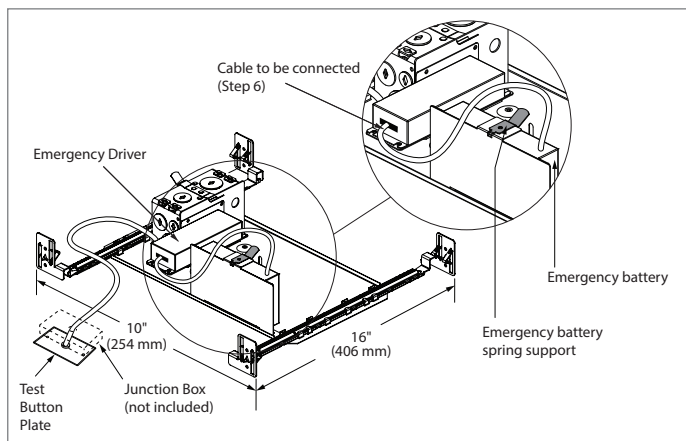
IMPORTANT

Testing system :

The emergency battery requires a charge minimum of one (1) hour before testing the circuit.

A full charge requires thirty two (32) hours.

Please keep these installation instructions for future maintenance.



- Connect the cable between the battery and the emergency module (see picture above).

Install the ceiling and locate the center of the mounting plate.

CEILING CUTOUT

IMPORTANT: As the side trim is very thin and narrow, the edges of the hole must be clear, precise and without notches so that the trim fits perfectly in the ceiling.

Note: For square trim, it is strongly recommended to use the cardboard drilling template included with the trim. A reusable steel cutout template is also offered as an option.

Note: Refer to the installation instructions sheet trim to know the minimal clearance recommended under the ceiling.

Cutting Diameter:

- 3-1/2" Round Trims: **ø 3-3/4" (95 mm)**
- 3-1/2" Square Trims: **3-3/4" (95 mm) x 3-3/4" (95 mm)**
- 4" Round Trims: **ø 4-1/4" (108 mm)**
- 4" Square Trims: **4-1/4" (108 mm) x 4-1/4" (108 mm)**

Note: For installation spacing requirements of wall wash trim, please see specification sheet.

- Install the test button near the housing with the plate included. Screw the plate on a junction box.
- Complete the installation. Refer to the installation guide of the trim chosen.

Emergency Driver Replacement (Follow your local electrical code)

- SHUT OFF ELECTRICAL SUPPLY AT SOURCE.**
- Remove trim from can and disconnect wires.
- Remove screws from can. Remove can from ceiling and let it hang.
- Insert your hand in the aperture and remove the battery retained by a spring. Unplug the wire of the battery located at end of the driver.
- Install the new battery in the holder and connect the wire to driver.
- Put back the can in place.
- Reconnect the wires and install the trim in place.



WARNING

The use of other company's (non-Contrast) products or components (e. g. trims) in conjunction with Contrast Lighting M.L. Inc. products may not be covered by UL approvals and could be hazardous. Such use automatically voids all Contrast Lighting M.L. Inc. warranty and responsibility of these products.

Due to constant evolution of dimmers we must test them regularly.

We invite you to frequently visit our Web site to find our dimmer compatibility list: www.contrastlighting.com



WARNING: RISK OF FIRE

Most dwellings built before 1985 have supply wires rated 60° C. Consult a qualified electrician before installing.



It is very important not to exceed the lamp's indicated wattage.

WARRANTY: CONTRAST LIGHTING M. L. INC. guarantees the components against manufacturing defects for a period of one (1) year, under normal use with proof of purchase. The obligation of the manufacturer consists in the cost of the components and does not cover the cost of labor and transport for replacement. For all claims, please contact your local supplier. See our Web site for additional warranty details. **Note:** 5-years warranty on driver and LED module.