

ICAT0R2 - ICAT0S2

2-1/2" Series - Ardito

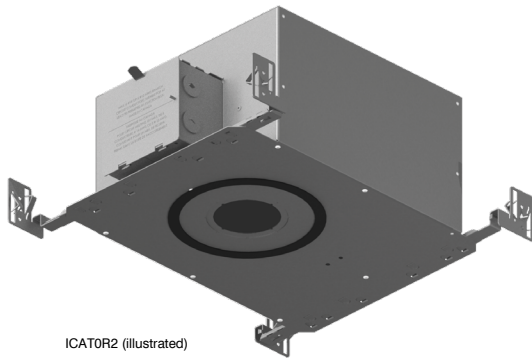
IC Air Tight Housing

Project _____

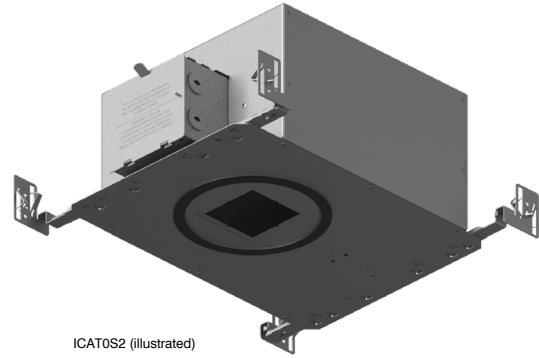
Notes _____

Fixture type _____

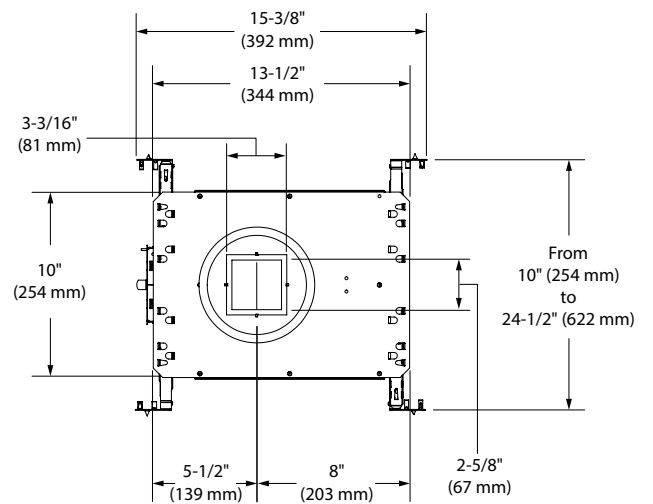
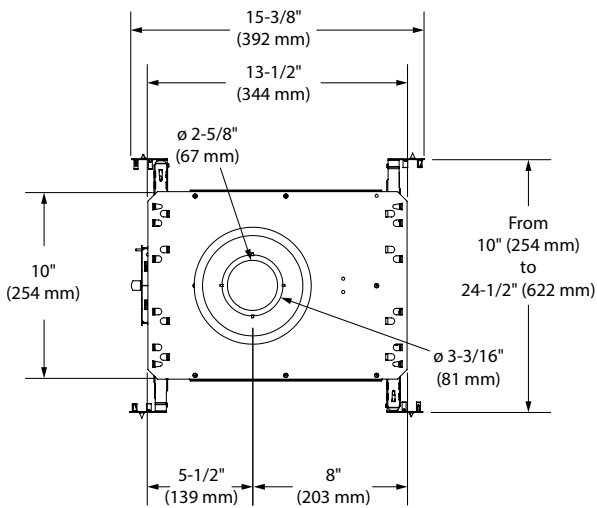
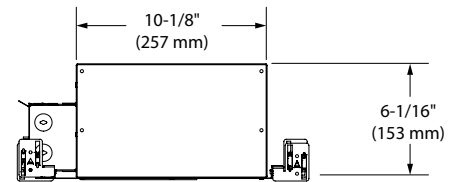
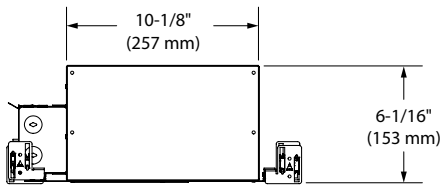
Date _____



ICAT0R2 (illustrated)



ICAT0S2 (illustrated)



CONTRASTE

1009, rue du Parc Industriel
Lévis (Québec) G6Z 1C5 Canada
Tel.: 1-888-839-4624
Fax.: 1-877-839-7057
contrastlighting.com
info@contrastlighting.com

© 2018 Contrast Lighting M.L. Inc.
All rights reserved

Contrast Lighting M.L. Inc. reserves the right to make changes in specifications and/or to discontinue any product at any time without notice or obligation and will not be liable for any consequences resulting from the use of this publication.

ICAT0R2 - ICAT0S2

2-1/2" Series - Ardito

IC Air Tight Housing



SPECIFICATIONS

HOUSING DETAILS	Galvanized steel housing of a thickness up to 18 gauge (0.051" / 1.3 mm). 33-1/2 in³ junction box can support up to 10 - 14 gauge wires or 8 - 12 gauge wires (90° wires). Below-ceiling accessible. Can be installed in insulated ceilings, except polyurethane.													
MOUNTING	<p>Flanged Trim Round Cutout diameter: \varnothing 2-5/8" (67 mm) Flanged Trim Square Cutout: 2-5/8" (67 mm) x 2-5/8" (67 mm)</p> <p>Flangeless Trim Round Cutout diameter: \varnothing 3-3/16" (81 mm) <input type="checkbox"/> Flangeless Trim Square Cutout: 3-3/16" (81 mm) x 3-3/16" (81 mm) <input type="checkbox"/> (Mud-in-plate sold separately)</p> <p>Optional: Reusable steel cutout template for square trim (TEMP-SQ)</p> <p>Perfect fit to ceiling. Can fit in ceiling from 1/2" (12 mm) to 1-3/8" (35 mm) thick. Mounting bars extend from 10" (254 mm) to 24-1/2" (622 mm) to fit in most ceiling structures.</p>													
PERFORMANCE	<p>Performance 1: 1,375 lumens (14W) Consult trims specification sheets for complete details.</p>													
POWER SUPPLY	120V - 277V													
DIMMING	<p>2 types of dimming offered all within the same unit:</p> <ul style="list-style-type: none"> • Electronic Low Voltage (ELV) (120V only) • 0-10V (120V/277V) <p>Due to constant evolution of dimmers, we must test them regularly. We invite you to consult frequently our Web site to find our suggested compatible dimmers list: www.contrastlighting.com</p>													
COMPATIBLE TRIMS	<p>ICAT0R2 (round aperture)</p> <hr/> <p>JAB CERTIFIED (CEC) Performance 1 (14W)</p> <table border="0"> <tr> <td>A2RAR</td> <td>A2RAR-TR</td> <td>A2RSF</td> </tr> <tr> <td>A2RFR</td> <td>A2RFR-TR</td> <td>A2RAF</td> </tr> </table>	A2RAR	A2RAR-TR	A2RSF	A2RFR	A2RFR-TR	A2RAF	<p>ICAT0S2 (square aperture)</p> <hr/> <p>JAB CERTIFIED (CEC) Performance 1 (14W)</p> <table border="0"> <tr> <td>A2SAR</td> <td>A2SAR-TR</td> <td>A2SSF</td> </tr> <tr> <td>A2SFR</td> <td>A2RSFR-TR</td> <td></td> </tr> </table>	A2SAR	A2SAR-TR	A2SSF	A2SFR	A2RSFR-TR	
A2RAR	A2RAR-TR	A2RSF												
A2RFR	A2RFR-TR	A2RAF												
A2SAR	A2SAR-TR	A2SSF												
A2SFR	A2RSFR-TR													
CERTIFICATION	<ul style="list-style-type: none"> • cULus E343977 for damp locations and wet locations with shower trims • Air Tight tested in accordance with ASTM-E283 • CALIFORNIA TITLE 24 (JA8-2016) 													
WARRANTY	5 years on LED driver													

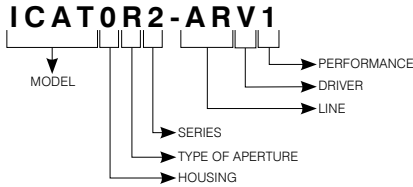
ICAT0R2 - ICAT0S2

2-1/2" Series - Ardito

IC Air Tight Housing



CODIFICATION EXAMPLE



ORDERING CODES

MODEL	HOUSING	TYPE OF APERTURE	SERIES	LINE	DIMMING / PERFORMANCE
ICAT	0		2	AR	V1
ICAT	Insulated Housing Air Tight	R Round S Square	2 2-1/2" Series	AR Ardito	V1 14W (up to 1,375 lumens) 120V/277V 0-10V ELV (120V only)

MUD-IN-PLATE OPTION

Required with the use of flangeless trims.
(see installation instructions sheet for more details)

ROUND

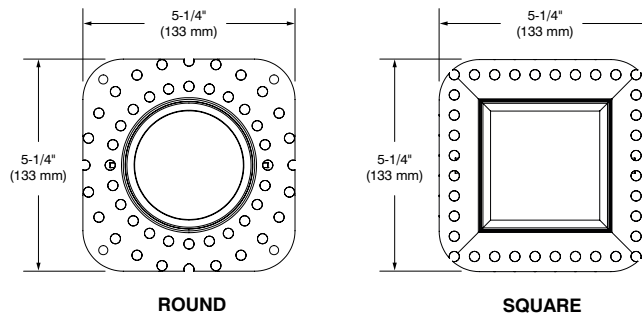
ø 3-3/16" (81 mm)

Code: MIPA2R

SQUARE

3-3/16" (81 mm) x 3-3/16" (81 mm)

Code: MIPA2S



REUSABLE TEMPLATE OPTION

Reusable steel cutout template for square trim

Code: TEMP-SQ

