

IT2000CE - LED

4" 2000 Series - Evolution LED

IC Air Tight Short Remodel Housing with Electronic Transformer for MR16 LED Lamp

Project	
Notes	
Fixture Type	
Date	

SPECIFICATIONS

HOUSING DETAILS 18 gauge 0.051" (1.3 mm) thickness galvanized steel.
 Approved for use in insulated ceilings in direct contact with the insulation material (except polyurethane).
 Air Tight.
 Flexible channel wire bracket made of 20 gauge steel, bending up to 45° vertically for ease of installation in confined spaces.
 Junction box can support up to 10 – 14 gauge wires or 8 – 12 gauge wires. Below-ceiling accessible.

MOUNTING **Cutout diameter: Ø 4-1/4" (108 mm)**
 Can fit in ceilings up to 1-1/8" (29 mm) thick.
 Requires a 4.75" (121 mm) clearance beyond the ceiling level.
 Hook for ease of installation and a perfect fit to ceiling.
 No light leakage.

LAMP **MR16 LED GU 5.3 11.5W MAX**

VOLTAGE 120 Volts

TRANSFORMER Electronic Transformer
 Hatch A/C LED, 15W 120V/12V (RS12-15M-LED)
 Dedicated to LED Lamps

DIMMING During Product Development Contrast tested some dimmers that you will find by consulting regularly the dimmer compatibility list on our website at (www.contrastlighting.com).
 Constant progresses in LED lamps and dimmers technologies may offer change in compatibility options that you will find by consulting frequently the lamp manufacturer compatibility list.

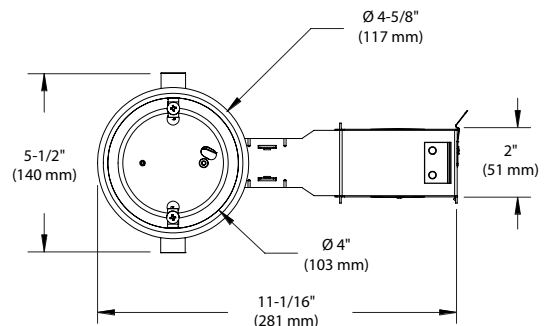
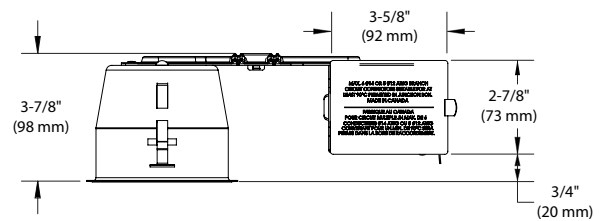
COMPATIBLE TRIMS	R2000	R2000V	R2100	R2450VT	S2100
	R2000DG	R2051	R2100VT	S2000	T2000

THERMAL PROTECTION TC 194°F (90°C)

HOMOLOGATION

- cULus **E343977** for damp locations
- Certified Air Tight ASTM E283

WARRANTY 5 years on socket and 3 years on electronic transformer.



CONTRASTE

1009, rue du Parc Industriel
 Lévis (Québec) G6Z 1C5 Canada

© 2016 Contrast Lighting M.L. Inc.
 All rights reserved

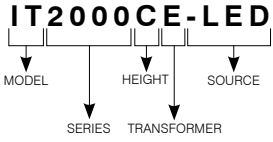
Tel. : 1-888-839-4624
 Fax. : 1-877-839-7057

Contrast Lighting reserves the right to make changes in specifications and/or to discontinue any product at any time without notice or obligation and will not be liable for any consequences resulting from the use of this publication.

IT2000CE-LED

4" 2000 Series - Evolution LED

CODIFICATION EXAMPLE



ORDERING CODE

MODEL	SERIES	HEIGHT	TRANSFORMER	SOURCE
IT	2000	C	E	-LED
IT Remodel	2000 4" Series	C Short	E Electronic	-LED MR16 LED Lamp



CONTRASTE

1009, rue du Parc Industriel
 Lévis (Québec) G6Z 1C5 Canada

© 2016 Contrast Lighting M.L. Inc.
 All rights reserved

Tel. : 1-888-839-4624
 Fax. : 1-877-839-7057
 info@contrastlighting.com

Contrast Lighting reserves the right to make changes in specifications and/or to discontinue any product at any time without notice or obligation and will not be liable for any consequences resulting from the use of this publication.