

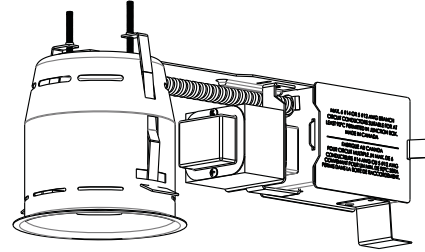
SPECIFICATION SHEET

4" 2000 SERIES

IT2000M

IT2000M2
IT2000M3

REMODEL HOUSING WITH MAGNETIC TRANSFORMER



YES

Damp Location



MR16 50W MAX

MR16



Voltage

120 VOLTS (CAN & USA.)
277 VOLTS (USA ONLY)
347 VOLTS (CAN ONLY)



Magnetic transformer
IT2000M : 120V / 12V
IT2000M2 : 277V / 12V
IT2000M3 : 347V / 12V



Thermal Protector

T°C 120°C No 031



OD Cut

4 1/4" (108mm)



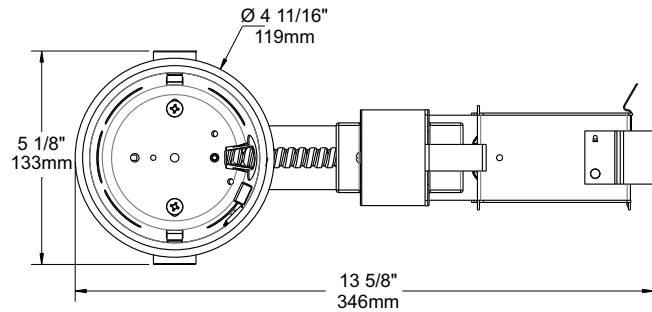
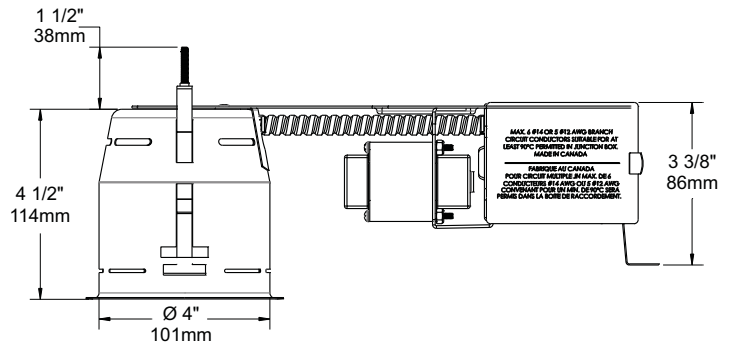
UL US LISTED

E174023



Dimensions

Overall Dimensions :
Length : 13 5/8" (346mm)
Width : 5 1/4" (133mm)
Height : 6" (152mm)



COMPATIBLE TRIMS

50W MR16

R2000	S2000
R2000V (R2010V, R2030V)	S2051
R2020	S2100
R2051	T2000
R2100	T2000V (T2010V)
R2100V(R2110V, R2130V)	T2000VL (T2010VL)
R2100VT	T2000VS (T2010VS)
R2120	T2000VLS T2010VLS)
R2450VT	

TECHNICAL SPECIFICATIONS

0,051" (1,3mm) thickness Galvanized Steel.
Below-ceiling accessible.
Hooks PAT#CAN 2,088,648 and #USA 5,377,088.
Takes up to 7/8" thick ceiling.
Perfect fit into ceiling.
No light leak.
Each part of the case should be at 3 "(76mm) MINIMUM from insulation (if applicable).



Your representative : _____

Your project : _____