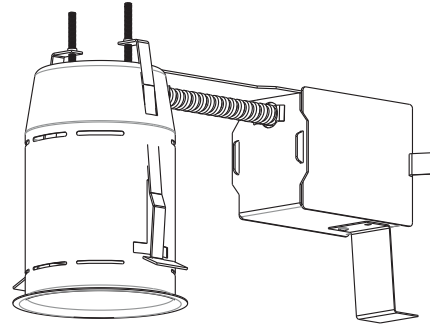


# SPECIFICATION SHEET

3 1/2" 3000 SERIES

# IT3000LT

LONG REMODEL HOUSING FOR GU/GZ-10 BULB



YES

Damp Location



GU/GZ-10

GU/GZ-10 50W MAX.



Voltage

120 VOLTS (CAN & USA.)



Thermal Protector

T°C 125°C No 032



OD Cut

3 5/8" (92mm)



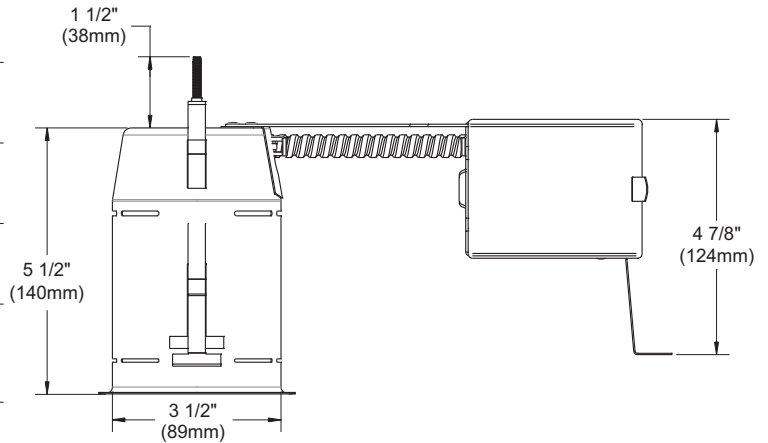
UL LISTED

E174023



Dimensions

Overall Dimensions :  
Length : 12" (305mm)  
Width : 4 3/4" (121mm)  
Height : 7" (178mm)



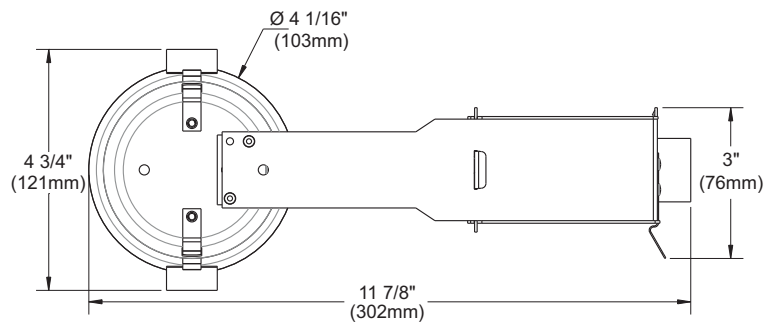
## COMPATIBLE TRIMS

GU/GZ-10 50W MAX.

R3151W	S3651	T3185	T3500
R3151WK	T3000	T3200	T3500W
R3601W	T3100	T3250	T3800
S3145	T3125	T3260	T3850
S3151	T3145	T3300	T3900
S3400	T3145DSM	T3400	
S3450	T3145DST	T3400W	
S3500	T3145W	T3450	
S3601	T3165	T3450W	

## TECHNICAL SPECIFICATIONS

0,051" (1,3mm) thickness Galvanized Steel.  
Below-ceiling accessible.  
Hooks PAT#CAN 2,088,648 and #USA 5,377,088.  
Takes up to 7/8" thick ceiling.  
Perfect fit into ceiling.  
No light leak.  
Each part of the case should be at 3" (76mm) MINIMUM from insulation (if applicable).



Your representative : \_\_\_\_\_

Your project : \_\_\_\_\_

**CONTRAST**  
LIGHTING

1009, rue du Parc Industriel, Saint-Jean-Chrysostome, Qc, CAN, G6Z1C5 Tel.: 1-888-839-4624 Fax : 1-877-839-7057  
info@contrastlighting.com  
www.contrastlighting.com

NOVEMBER 2010