

NW35MR16

3-1/2" - Classic/Evolution

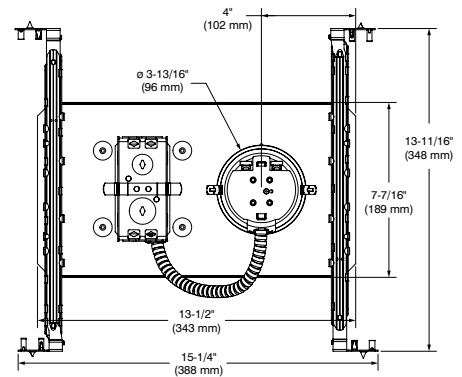
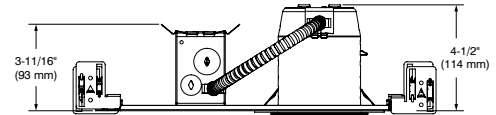
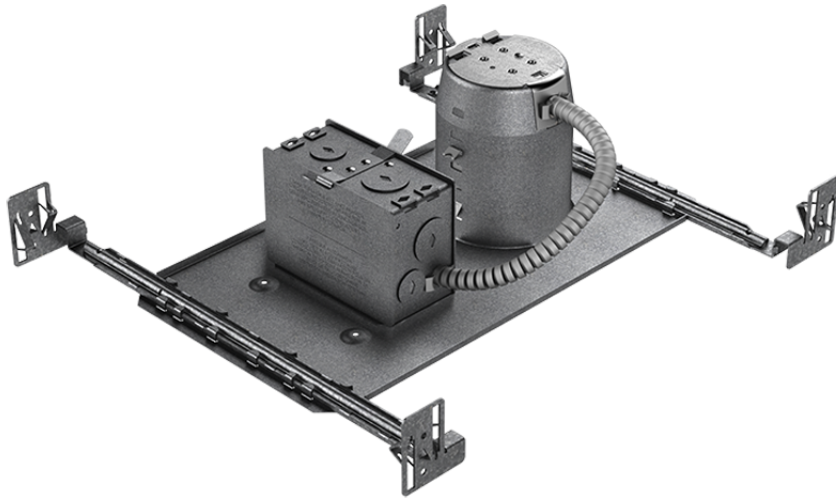
**New Construction Housing IC and Air Tight (10W)
for LED and Halogen MR16 Lamp**

Project _____

Notes _____

Fixture Type _____

Date _____



SPECIFICATIONS

HOUSING DETAILS	18 gauge up to 0.051" (1.3 mm) thick galvanized steel housing. 26-1/2 in ³ junction box can support up to 10 - 14 gauge wires or 8 - 12 gauge wires. Below-ceiling accessible.							
MOUNTING AND SUPPORT	Cutout diameter: ø 3-5/8" (92 mm) Can fit ceilings up to 2" (51 mm) thick. Requires a 4-1/2" (115 mm) clearance beyond the ceiling level. Tool-free snap-in hooks for ease of installation and a perfect fit to ceiling. Mounting bars extend from 10" (254 mm) to 24-1/2" (622 mm) to fit in most ceilings. No light leakage.							
LAMPS	MR16 LED GU5.3 10W MAX (IC & AIR TIGHT)				MR16 GU5.3 50W MAX (NOT IC & NOT AIR TIGHT)			
VOLTAGE	120 Volts 277 Volts							
TRANSFORMER	LTF Electronic Transformers 120V-10W: TA15WA12LED65B15 120V-50W: TA60WA12LED65B15 120VD-50W: TA60WA12LED65B15D010 277V-10W: TE15WA12LED65B15 277V-50W: TE60WA12LED65B15 277VD-50W: TE60WA12LED65B15D010							
DIMMING	Only use ELV and 0-10V type. (To use the dimming option, please refer regularly to the lamp manufacturer compatibility list)							
COMPATIBLE TRIMS	R3151 R3151W R3450D	R3470 R3652 S3145	S3151 S3450 S3450D	T3000 T3100 T3125	T3145 T3145D T3145DG	T3145W T3200 T3250	T3450 T3450D T3450W	T3850
CERTIFICATION	<ul style="list-style-type: none"> • cULus for damp locations; wet locations for shower trims (7W) only (for LED lamps) • cULus for damp locations; wet locations for shower trims (20W) only (for halogen lamps) • Certified Air Tight ASTM E283 (10W MAX) 							
WARRANTY	3-year limited warranty on the electronic transformer and 1-year on components							

CONTRASTE

1009, rue du Parc Industriel
Lévis (Québec) G6Z 1C5 Canada
Tel.: 1-888-839-4624
Fax.: 1-877-839-7057
contrastlighting.com
info@contrastlighting.com

© 2021 Contrast Lighting M.L. Inc.
All rights reserved

Contrast Lighting M.L. Inc. reserves the right to make changes in specifications and/or to discontinue any product at any time without notice or obligation and will not be liable for any consequences resulting from the use of this publication.

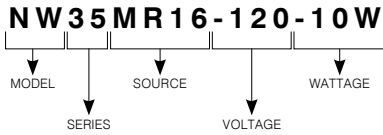
NW35MR16

3-1/2" - Classic/Evolution

**New Construction Housing IC and Air Tight (10W)
for LED and Halogen MR16 Lamp**



CODIFICATION EXAMPLE



ORDERING CODES

MODEL	SERIES	SOURCE	VOLTAGE	WATTAGE
NW	35	MR16		
NW New Construction Housing	35 3-1/2" Series	MR16 MR16 LED GU5.3 MR16 GU5.3	-120 120 Volts (ELV) -277 277 Volts (ELV)	-10W 10W (LED) -50W 50W (Halogen)*
			-120D 120 Volts (0-10V) -277D 277 Volts (0-10V)	-50W 50W (Halogen)*

*Not for isolated and air tight ceiling.

GOOF RINGS

Goof rings correct the openings too large or damaged ceiling cutout.

All goof rings are available in all Contraste finishes.
Add finish color code at the end of the goof rings code.
Ex.: RON3000-06

For round trims
Code: RON3000



Outside diameter: ø 6-1/8" (156 mm)
Inside diameter: ø 3-5/8" (92 mm)

For square trims
Code: RON3100



Outside dimensions: 5" (127 mm) x 5" (127 mm)
Inside diameter: ø 3-5/8" (92 mm)