

SPECIFICATION SHEET

# NW40GU10-10W

4" - Classic/Evolution

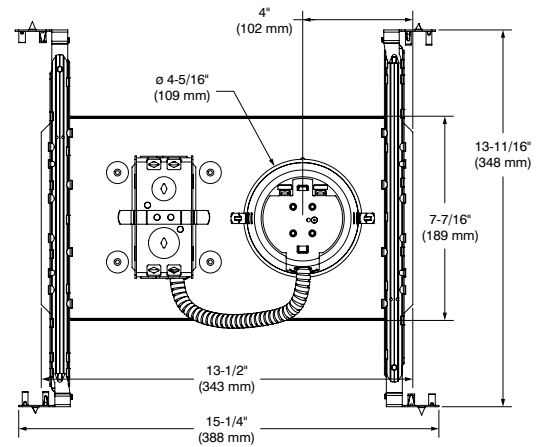
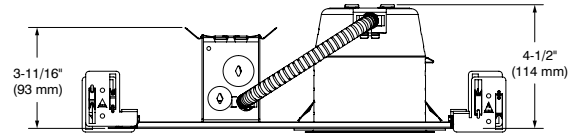
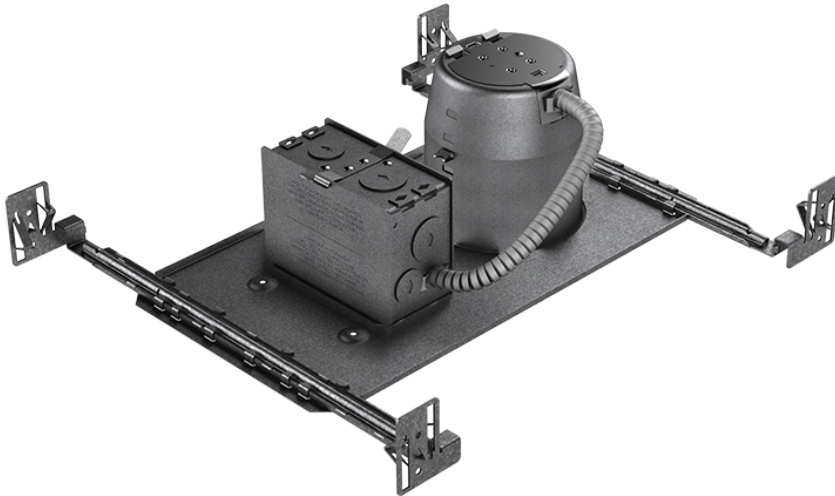
New Construction Housing IC and Air Tight for GU10 (LED) Lamp

Project \_\_\_\_\_

Notes \_\_\_\_\_

Fixture Type \_\_\_\_\_

Date \_\_\_\_\_



## SPECIFICATIONS

HOUSING DETAILS	18 gauge up to 0.051" (1.3 mm) thick galvanized steel housing. 26-1/2 in <sup>3</sup> junction box can support up to 10 - 14 gauge wires or 8 - 12 gauge wires. Below-ceiling accessible.
MOUNTING AND SUPPORT	<b>Cutout diameter: ø 4-1/4" (108 mm)</b> Can fit ceilings up to 2" (51 mm) thick. Requires a 4-1/2" (115 mm) clearance beyond the ceiling level. Tool-free snap-in hooks for ease of installation and a perfect fit to ceiling. Mounting bars extend from 10" (254 mm) to 24-1/2" (622 mm) to fit in most ceilings. No light leakage.
LAMPS	<b>GU10 LED 10W MAX</b>
VOLTAGE	120 Volts
DIMMING	If you want to use the dimming option, please refer regularly to the lamp manufacturer compatibility list.
COMPATIBLE TRIMS	R2000    R2100    S2000    S2100    T2000
CERTIFICATION	<ul style="list-style-type: none"> <li>cULus for damp locations; wet locations for shower trims only</li> <li>Certified Air Tight ASTM E283</li> </ul>
WARRANTY	1-year limited warranty on components

# CONTRASTE

2021-01

PRINTED IN CANADA

1009, rue du Parc Industriel  
Lévis (Québec) G6Z 1C5 Canada  
Tel.: 1-888-839-4624  
Fax.: 1-877-839-7057  
contrastlighting.com  
info@contrastlighting.com

© 2021 Contrast Lighting M.L. Inc.  
All rights reserved

Contrast Lighting M.L. Inc. reserves the right to make changes in specifications and/or to discontinue any product at any time without notice or obligation and will not be liable for any consequences resulting from the use of this publication.

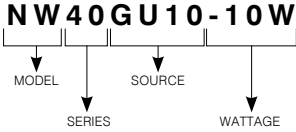
# NW40GU10-10W

4" - Classic/Evolution

**New Construction Housing IC and Air Tight for GU10 (LED) Lamp**



CODIFICATION EXAMPLE



ORDERING CODES

MODEL	SERIES	SOURCE	WATTAGE
<b>NW</b>	<b>40</b>	<b>GU10</b>	<b>-10W</b>
<b>NW</b> New Construction Housing	<b>40</b> 4" Series	<b>GU10</b> GU10 LED	<b>-10W</b> 10W

GOOF RINGS

Goof rings correct the openings too large or damaged ceiling cutout.

All goof rings are available in all Contraste finishes.  
Add finish color code at the end of the goof rings code.  
Ex.: RON2000-06

For round trims  
**Code: RON2000**



Outside diameter: ø 6-1/8" (156 mm)  
Inside diameter: ø 4-1/8" (105 mm)

For square trims  
**Code: RON2100**



Outside dimensions: 5-1/2" (140 mm) x 5-1/2" (140 mm)  
Inside diameter: ø 4-1/8" (92 mm)