

# NWUR4-EM

4" - Urbai Series

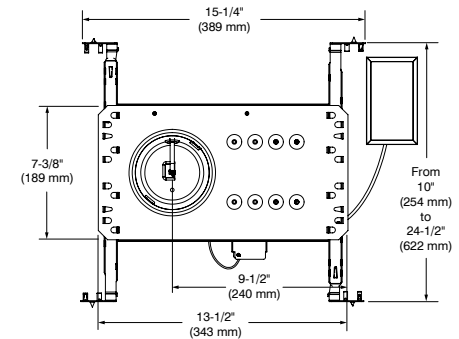
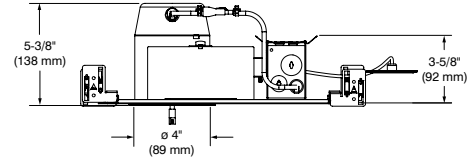
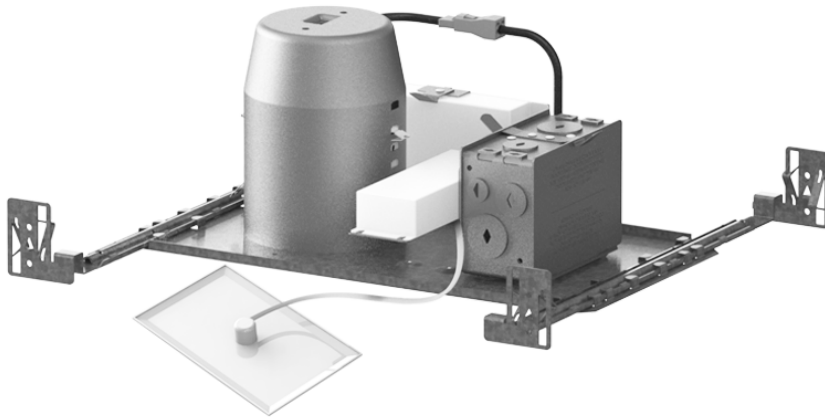
**New Construction Housing with Emergency Lighting**

Project \_\_\_\_\_

Notes \_\_\_\_\_

Fixture type \_\_\_\_\_

Date \_\_\_\_\_



## SPECIFICATIONS

HOUSING DETAILS	Up to 0.051 (1.3 mm) thick galvanized steel housing. 26-1/2 in <sup>3</sup> junction box. Below-ceiling accessible.		
MONTAGE ET SUPPORT	<b>Cutout diameter: ø 4-1/4" (105 mm)</b> Can fit ceilings up to 2" (51 mm) thick. Requires a 6" (152 mm) clearance beyond the ceiling level. Snap-in hooks for ease of installation and a perfect fit to ceiling. Mounting bars extend from 10" (254 mm) to 24-1/2" (622 mm) to fit in most ceilings. No light leakage.		
BATTERY	Test button with 24" wire and decorative plate. Runtime: 120 minutes minimum Battery lifespan: 5 years		
VOLTAGE	120 Volts	277Volts	120 / 277 Volts (universal)

DRIVER (OPTIONS)	<b>Performance 1</b> <b>10W Non-IC</b> 	<b>Performance 2</b> <b>15W Non-IC</b> 	<b>Performance 3</b> <b>24W Non-IC and Non Air Tight</b>
	Up to 1,099 lm For standard (solid white) light engines  2 types of dimming offered: <ul style="list-style-type: none"> <li>• Electronic Low Voltage (ELV) (120V only)</li> <li>• 0-10V: Sourcing driver (Sinking Control 120V/277V)</li> </ul>	Up to 1,432 lm For standard (solid white) light engines Up to 650 lm For Warm Dimming (WD)  2 types of dimming offered: <ul style="list-style-type: none"> <li>• Electronic Low Voltage (ELV) (120V only)</li> <li>• 0-10V: Sourcing driver (Sinking Control 120V/277V)</li> </ul>	Up to 2,148 lm For standard (solid white) light engines Up to 1,050 lm For Warm Dimming (WD)  2 types of dimming offered: <ul style="list-style-type: none"> <li>• Electronic Low Voltage (ELV) (120V only)</li> <li>• 0-10V: Sourcing driver (Sinking Control 120V/277V)</li> </ul>

Due to constant evolution of dimmers we must test them regularly.  
We invite you to consult frequently our Web site to find our dimmer compatibility list: [www.contrastlighting.com](http://www.contrastlighting.com)

# NWUR4-EM

4" - Urbai Series

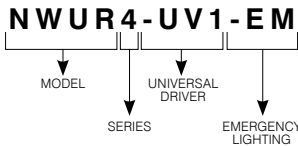
**New Construction Housing  
with Emergency Lighting**



## SPECIFICATIONS (CONT'D)

COMPATIBLE TRIMS	UR4A UR4B UR4C UR4D UR4E	UR4G UR4H UR4J UR4K UR4L
CERTIFICATION	<ul style="list-style-type: none"> <li>cULus <b>E343977</b> for damp locations; wet with shower trim only</li> <li>Air Tight tested in accordance with ASTM E283</li> </ul>	
WARRANTY	1 year limited warranty on components against manufacturing defects 5-year limited warranty on LED arrays and drivers	

## CODIFICATION EXAMPLE FOR UNIVERSAL HOUSING



## ORDERING CODES for Universal Housing

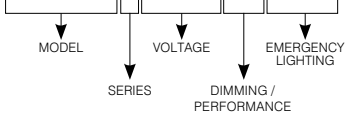
MODEL	SERIES	UNIVERSAL DRIVER	EMERGENCY LIGHTING
<b>NWUR</b>	<b>4</b>		<b>-EM</b>
<b>NWUR</b> New Construction	<b>4</b> 4" Series	<b>-UV1 Performance 1</b> ELV (120V) 10W 0-10V (120V) 10W 0-10V (277V) 10W  <b>-UV2 Performance 2</b> ELV (120V) 15W 0-10V (120V) 15W 0-10V (277V) 15W  <b>-UV3 Performance 3 (Non Air Tight)</b> ELV (120V) 24W 0-10V (120V) 24W 0-10V (277V) 24W	<b>-EM</b> Emergency Lighting

Contraste suggests ordering  
**UV2 (0-10V/15W)**  
 or  
**UV3 (0-10V/24W)**  
 dimming type and performance  
 to use with Warm Dimming

# NWUR4-EM

**4" - Urbai Series****New Construction Housing  
with Emergency Lighting**

## CODIFICATION EXAMPLE FOR 120V

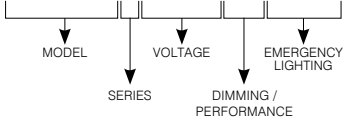
**NWUR4-120E1-EM**

## ORDERING CODES for 120V

MODEL	SERIES	VOLTAGE	DIMMING / PERFORMANCE	EMERGENCY LIGHTING
<b>NWUR</b>	<b>4</b>	<b>-120</b>		<b>-EM</b>
<b>NWUR</b> New Construction	<b>4</b> 4" Series	<b>-120</b> 120V	<b>E1</b> ELV / 10W <b>E2</b> ELV / 15W <b>EB2</b> ELV (+Value) / 15W <b>D1</b> 0-10V / 10W <b>D2</b> 0-10V / 15W	<b>-EM</b> Emergency Lighting

Contraste suggests ordering **EB2 (ELV (+ value)/15W)**, or **D2 (0-10V/15W)** dimming type and performance to use with Warm Dimming

## CODIFICATION EXAMPLE FOR 277V

**NWUR4-277D1-EM**

## ORDERING CODES for 277V

MODEL	SERIES	VOLTAGE	DIMMING / PERFORMANCE	EMERGENCY LIGHTING
<b>NWUR</b>	<b>4</b>	<b>-277</b>		<b>-EM</b>
<b>NWUR</b> New Construction	<b>4</b> 4" Series	<b>-277</b> 277V	<b>D1</b> 0-10V / 10W <b>D2</b> 0-10V / 15W <b>2</b> Non-Dimmable / 15W	<b>-EM</b> Emergency Lighting

Contraste suggests ordering **D2 (0-10V/15W)** dimming type and performance to use with Warm Dimming

# CONTRASTE

# NWUR4-EM

4" - Urbai Series

**New Construction Housing  
with Emergency Lighting**



## GOOF RINGS

Goof rings will help you fix larger than necessary or damaged ceiling cutouts.

For round trims.

**Code: RR4-01** (white)

**RR4-04BR** (brushed chrome)

**RR4-11** (matte white)

**RR4-12BR** (brushed nickel)

**RR4-13** (satin nickel)

**RR4-22** (matte black)

**RR4-25** (polar grey)

Outside diameter:  $\varnothing$  6-1/8" (156 mm)

Inside diameter:  $\varnothing$  4-1/8" (105 mm)

For square trims.

**Code: RS4-01** (white)

**RS4-04BR** (brushed chrome)

**RS4-11** (matte white)

**RS4-12BR** (brushed nickel)

**RS4-13** (satin nickel)

**RS4-22** (matte black)

**RS4-25** (polar grey)

Outside diameter: 5-1/2" (140 mm) x 5-1/2" (140 mm)

Inside diameter:  $\varnothing$  4-1/8" (105 mm)

# CONTRASTE