

RE40PAR-10WQC

4" - Coastal Line

IC and Air Tight Remodel Housing for PAR Lamp (LED)



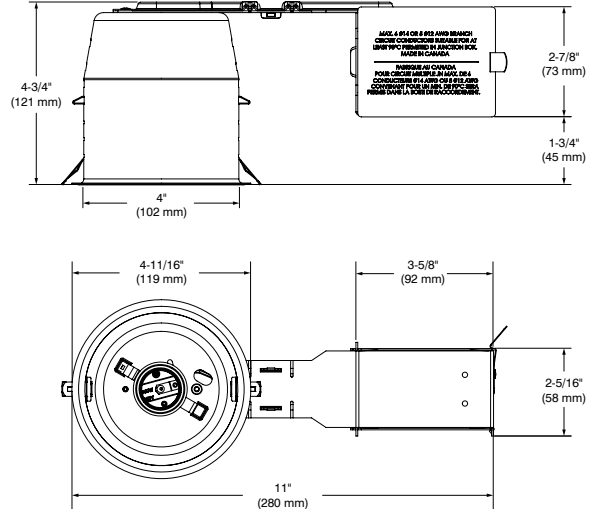
COASTAL
LINE

Project _____

Notes _____

Fixture Type _____

Date _____



SPECIFICATIONS

HOUSING DETAILS	Galvanized steel housing with E-coat painted pot + black powder coating 18 gauge up to 0.051" (1.3 mm) thickness. Flexible channel wire bracket made of 20 gauge steel, bending up to 45° vertically for ease of installation in confined spaces. 19-1/2 in ³ junction box can support up to 10 - 14 gauge wires or 8 - 12 gauge wires. Below-ceiling accessible.
MOUNTING AND SUPPORT	Cutout diameter: ø 4-1/4" (108 mm) Can fit ceilings up to 2" (51 mm) thick. Requires a 4-3/4" (121 mm) clearance beyond the ceiling level. Tool-free snap-in hooks for ease of installation and a perfect fit to ceiling. No light leakage.
LAMPS	PAR20 LED 10W MAX
VOLTAGE	120 Volts
DIMMING	If you want to use the dimming option, please refer regularly to the lamp manufacturer compatibility list.
COMPATIBLE TRIMS	D2000
CERTIFICATION	<ul style="list-style-type: none"> cULus for damp locations; wet locations for shower trims only Certified Air Tight ASTM E283
WARRANTY	3-year limited warranty

CONTRASTE

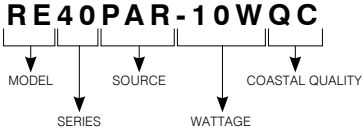
RE40PAR-10WQC

4" - Coastal Line

IC and Air Tight Remodel Housing for PAR Lamp (LED)



CODIFICATION EXAMPLE



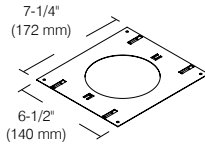
ORDERING CODES

MODEL	SERIES	SOURCE	WATTAGE	COASTAL QUALITY
RE	40	PAR	-10W	QC
RE Remodel Housing	40 4" Series	PAR PAR20 LED	-10W 10W	QC Coastal Quality

MOUNTING PLATES

Ceiling cutout: \varnothing 4-1/4" (108 mm)

Code: P2000QC



GOOF RINGS

Stainless Steel goof rings correct the openings too large or damaged ceiling cutout.

Available in the following finishes : -01, -02, -11 and -22.
Add finish color code and **QC** at the end of the goof rings code.
Ex.: RON2000-11**QC**



For round trims
Code: **RON2000**

Outside diameter: \varnothing 6-1/8" (156 mm)
Inside diameter: \varnothing 4-1/8" (105 mm)

